

ITEM# _____

PROJECT _____

DATE _____

TF Servers

Features

BUNN ThermoFresh® servers

- Vacuum insulated to keep coffee hot for hours.
- Contemporary styling and wrap program for maximum merchandising.
- Built-in drip tray attached to the server for transportation—easily removed for cleaning.
- Large cup clearance allows for dispensing into cups, decanters and thermal carafes.
- Fast flow faucet.
- Brew-through lid.
- Stackable design for dry storage.
- Ideal for use with Single and Dual TF Brewers.



1 and 1.5 gallon TF Servers*

(sold separately)

Dimensions (1 gal): 20.6" H x 9.6" W x 14.1" D
(52.3cm H x 24.4cm W x 35.8cm D)

Dimensions (1.5 gal): 22.5" H x 9.9" W x 16.3" D
(57.2cm H x 25.2cm W x 41.4cm D)

For current specification sheets and other information, go to www.bunn.com.

* International models may vary in appearance.

Related Products

Dual TF DBC

Product No.: 34600.0015

Dimensions: 35.7" H x 21.8" W x 20.2" D
(90.7cm H x 55.4cm W x 51.3cm D)



Single TF DBC

Product No.: 34800.0010

Dimensions: 35.7" H x 12.1" W x 19.2" D
(90.7cm H x 30.7cm W x 48.8cm D)



Brewer Compatibility Chart

Brewer	1.5 Gal w/base	1 Gal w/ base
ICBA	No	No
ITCB	No	No
Single TF	Yes	Yes
Dual TF	Yes	Yes

Model

TF Server

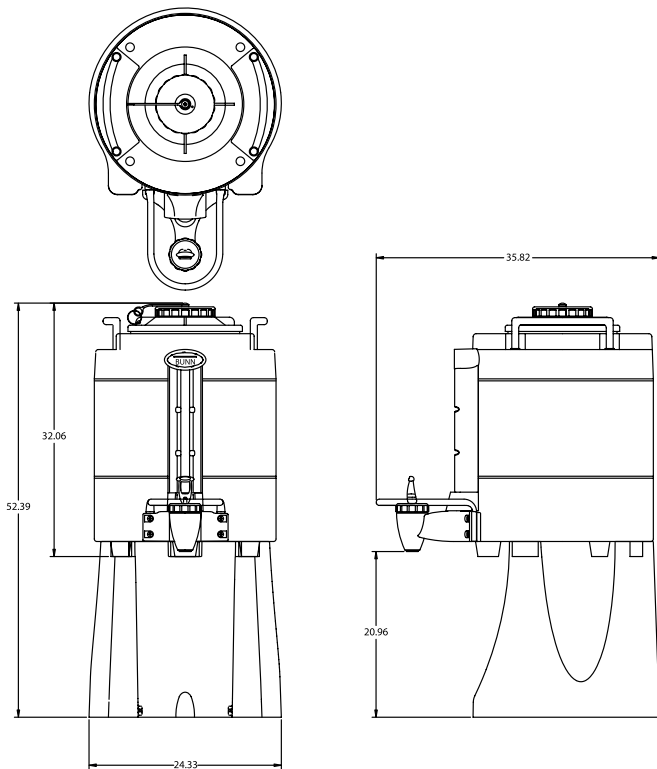
Agency Listing

CE

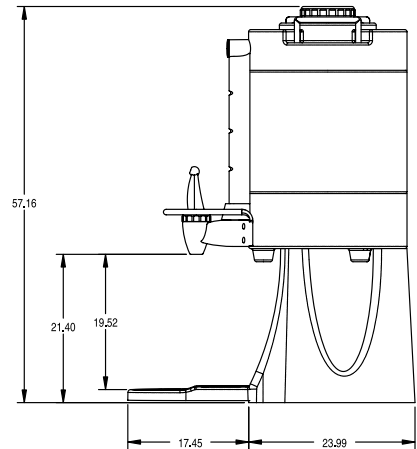
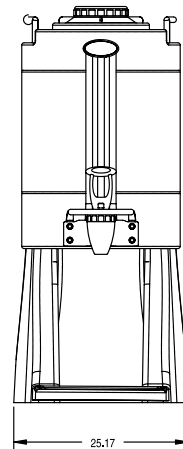
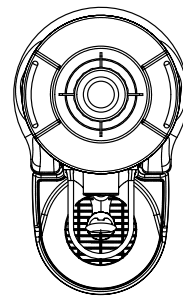
Dimensions & Specifications

Model	Product #	Volts	Amps	Total Watts	Holding Capacity	Cubic Measure	Shipping Weight	Cord Attached
1 Gal TF Server	36720.0000	n/a	n/a	n/a	1 gallon (3.8 litre)	1.46 ft ³ (.04 m ³)	13 lb (5.9 kg)	No
1 Gal TF Server*	36720.0001	n/a	n/a	n/a	1 gallon (3.8 litre)	1.46 ft ³ (.04 m ³)	13 lb (5.9 kg)	No
1.5 Gal TF Server	34850.0000	n/a	n/a	n/a	1.5 gallons (5.7 litre)	2.8 ft ³ (.08 m ³)	14 lb (6.4 kg)	No
1.5 Gal TF Server*	34850.0001	n/a	n/a	n/a	1.5 gallons (5.7 litre)	2.8 ft ³ (.08 m ³)	14 lb (6.4 kg)	No

* Models have black decor.



1 Gal TF Server



1.5 Gal TF Server

BUNN Corporation - 1400 Stevenson Drive Springfield, Illinois 62703 • USA • +1-217-529-6601 • Fax +1-217-529-2827 • www.bunn.com

BUNN® practices continuous product research and improvement. We reserve the right to change specifications and product design without notice. Such revisions do not entitle the buyer to corresponding changes, improvements, additions or replacements for previously purchased equipment.

All dimensions shown in centimeters. Bunn Corporation owns all copyrights relating to materials in this publication. Please contact Bunn Corporation to request permission to reproduce any portion of this publication.