

ITEM# \_\_\_\_\_

PROJECT \_\_\_\_\_

DATE \_\_\_\_\_

## 12 Cup Automatic Coffee Brewer with 3 Warmers



### Features

#### 12 Cup Automatic Coffee Brewer

- Brews 3.8 to 7.5 gallons (14.4 to 28.4 litres) of perfect coffee per hour.
- Model is space-saving 8.5" (21.6 cm) wide.
- All stainless steel construction.
- Hot water faucet and pourover feature on all models.
- SplashGard® funnel deflects hot liquids away from the hand.
- For information on additional international models, please contact the International Division at international@bunn.com

#### Model CWTF15-3\*

(2 top warmers)

(decanters sold separately)

Dimensions: 18.9" H x 8.5" W x 17.8" D  
(48cm H x 21.6cm W x 45.2cm D)

For current specification sheets and other information, go to [www.bunn.com](http://www.bunn.com).

\* International models may vary in appearance.

### Related Products

#### Easy Clear® EQ-17-TL

Product No. : 30200.1000

Dimensions:

12<sup>7</sup>/<sub>16</sub>" H x 2<sup>1</sup>/<sub>2</sub>" W x 3" D  
31.6 cm H x 6.35 cm W x 7.62 cm D



#### Paper Filter Pack

Product No. : 20115.0000

Packed per case: 1,000

Dimensions: 4<sup>1</sup>/<sub>4</sub>" Base x 2<sup>3</sup>/<sub>4</sub>" Sidewall  
10.8 cm Base x 6.98 cm Sidewall



#### 1GPR SS Portable Server on a RWS1 Warmer

1GPR Product No. : 12487.0001

RWS1A Product No. : 12203.0011

Power cord: 01716.0000



#### Easy Clear® ED-17-TL

Product No. : 30201.1001

Dimensions: 8<sup>1</sup>/<sub>4</sub>" H x 2<sup>5</sup>/<sub>16</sub>" Dia.

20.95 cm H x 5.87 cm Dia.

#### Easy Pour® black decanter

Product No. : 06100.0101

Quantity: 1 (also packaged in quantities of 2, 3, 6, 12, & 24)



#### Easy Pour® orange decanter (for decaf)

Product No. : 06101.0101

Quantity: 1 (also packaged in quantities of 2, 3, 6, 12, & 24)



#### International Model

#### Agency Listing

CWTF A

CE

CWTF A 35

CE

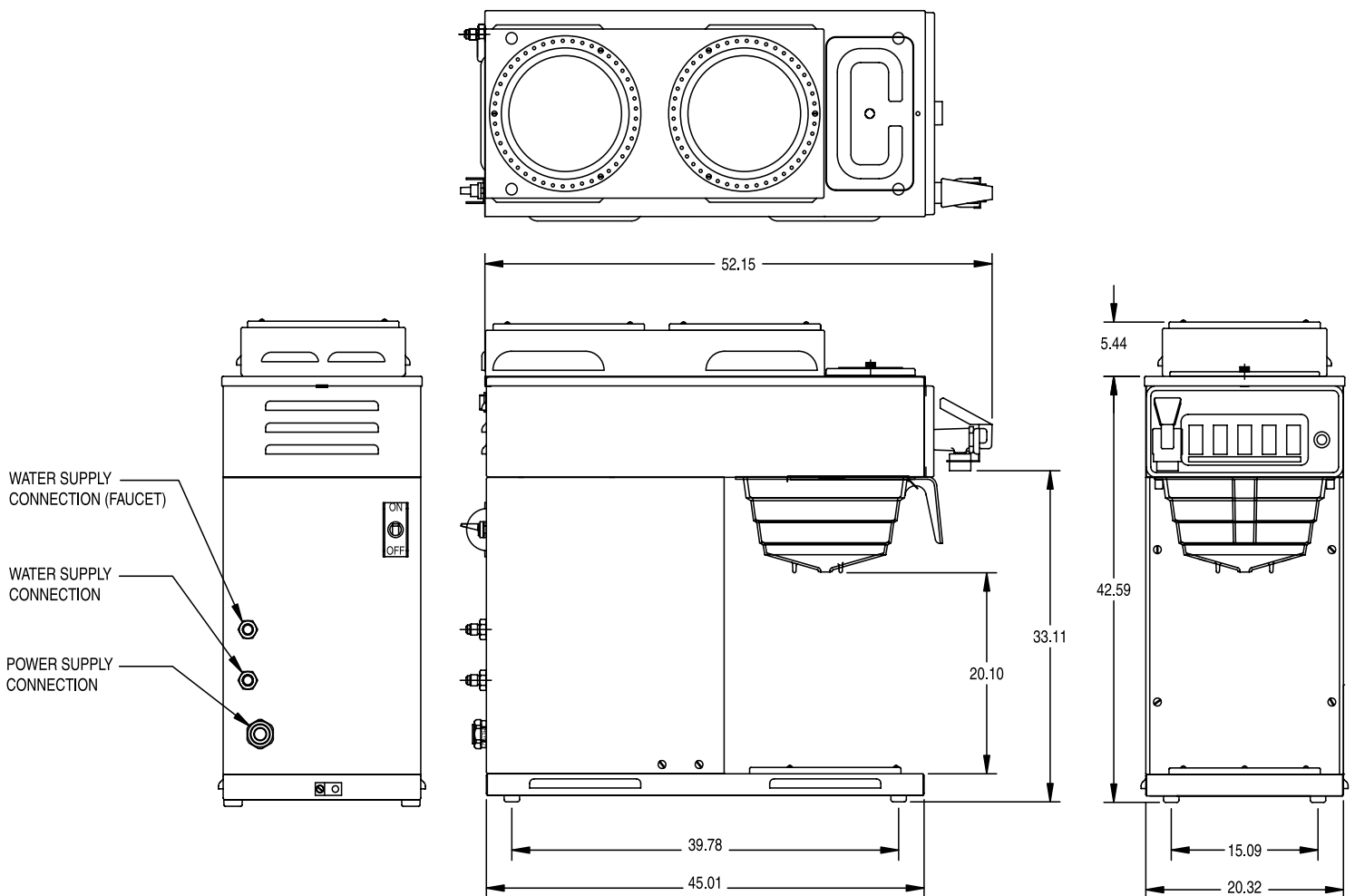
## Dimensions & Specifications

Model	Product #	Volts	Amps	Tank Heater Watts	Total Watts	Brewing Capacity	Cubic Measure	Shipping Weight	Cord Attached
CWTFA	12950.0317	230	10.4	1850	2400	5.2 gal./hr. (19.6 L/hr.)	4.3 ft <sup>3</sup> (0.12 m <sup>3</sup> )	30 lbs. (13.6 kg)	No
CWTF35A	12950.0277	230	16.2	3500	3890	6.8 gal./hr. (25.7 L/hr.)	4.3 ft <sup>3</sup> (0.12 m <sup>3</sup> )	30 lbs. (13.6 kg)	No

**Brewing capacity:** based upon incoming water temp of 60°F/15°C (140°F/60°C rise) per 1/2 gallon. Brew time of 4 minutes.

**Electrical:** Model requires 2-wires plus ground service rated 220-240V, single phase, 50/60 Hz.

**Plumbing:** 20-90 psi (138-621 kPa). Machine supplied with 1/4" (6.3 mm) male flare fitting.



BUNN Corporation - 1400 Stevenson Drive Springfield, Illinois 62703 • USA • +1-217-529-6601 • Fax +1-217-529-2827 • www.bunn.com

BUNN® practices continuous product research and improvement. We reserve the right to change specifications and product design without notice. Such revisions do not entitle the buyer to corresponding changes, improvements, additions or replacements for previously purchased equipment.

**All dimensions shown in centimeters.** Bunn Corporation owns all copyrights relating to materials in this publication. Please contact Bunn Corporation to request permission to reproduce any portion of this publication.