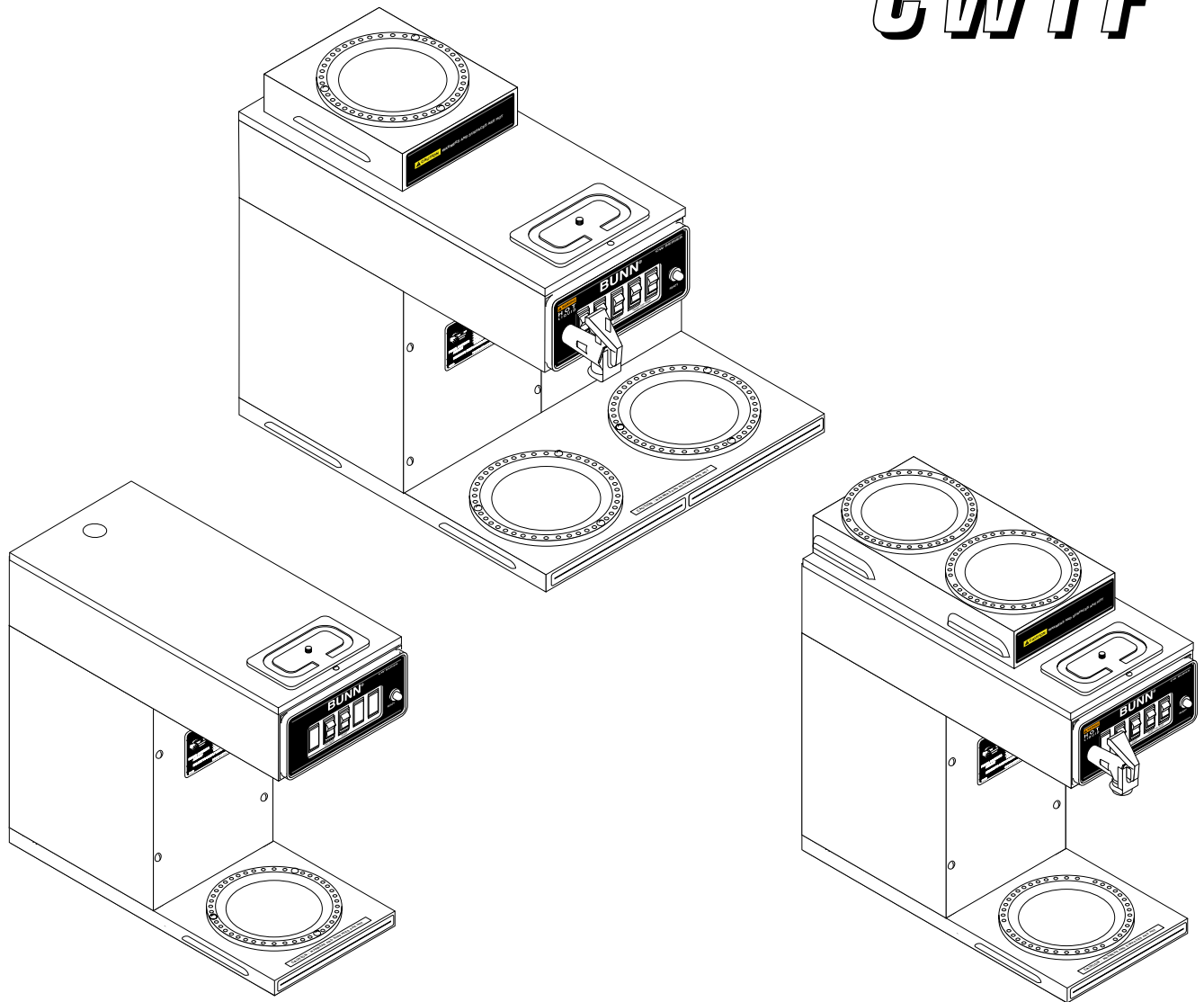


BUNN®

CWT

CWTF



ILLUSTRATED PARTS CATALOG

Designs, materials, weights, specifications, and dimensions for equipment or replacement parts are subject to change without notice.

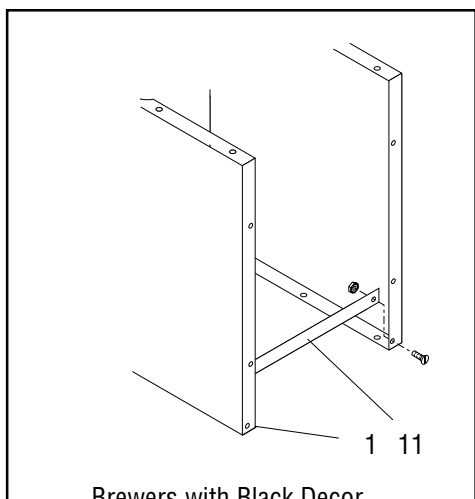
BUNN-O-MATIC CORPORATION OF CANADA LTD.

280 INDUSTRIAL PARKWAY SOUTH
AURORA, ONTARIO L4G 3T9

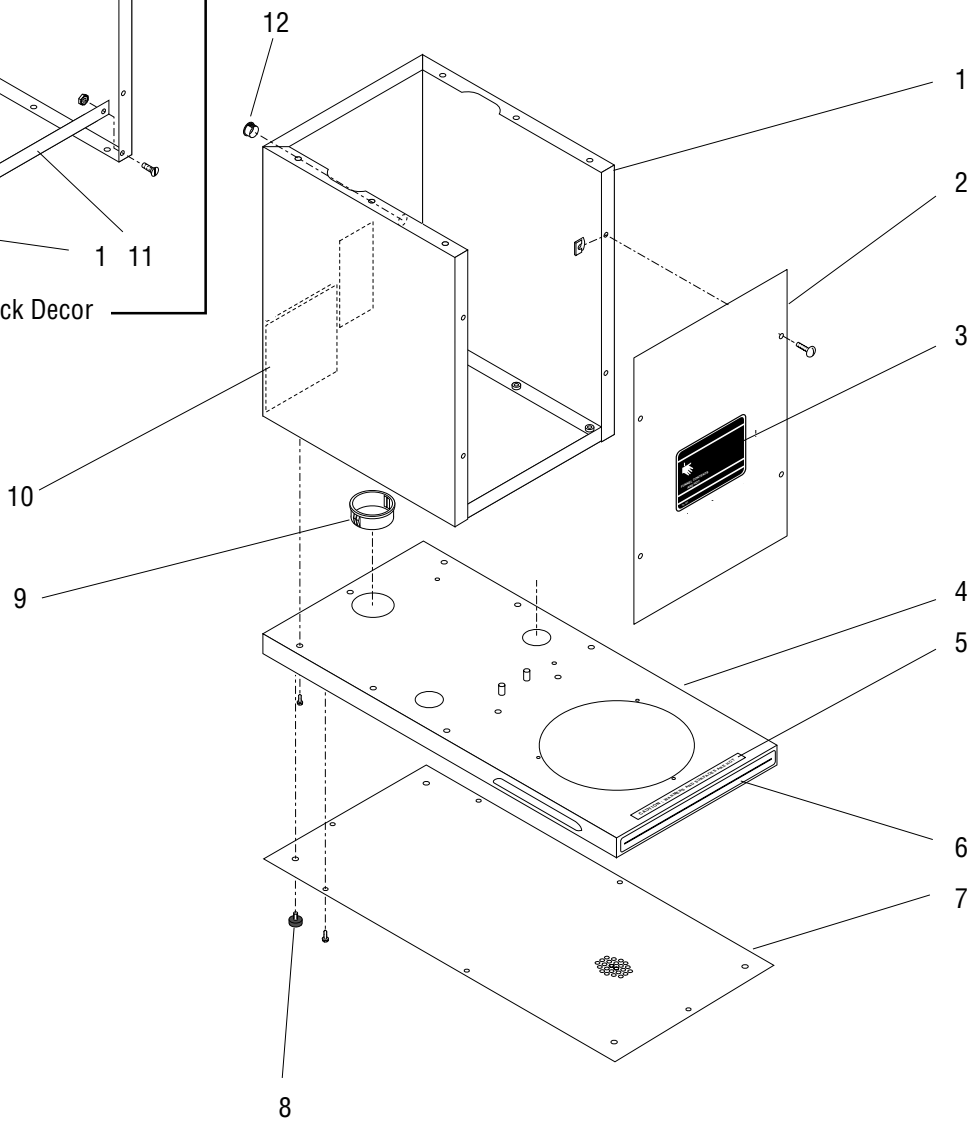
PHONE: (905) 841-2866 FAX : (905) 841-2775

TABLE OF CONTENTS

Electrical and Operating Controls	20
Faucet and Tubing	18
Fill Basin	8
Funnels and Filter Basket	24
Hood and Top Covers - SST and Black Decor Models	6
Numerical Index	26
Strainer, Flow Control, Solenoid and Lines	14
Tank and Components	10, 12
Trunks and Panels - SST and Black Decor Models	2, 4
Warmer Assemblies	24



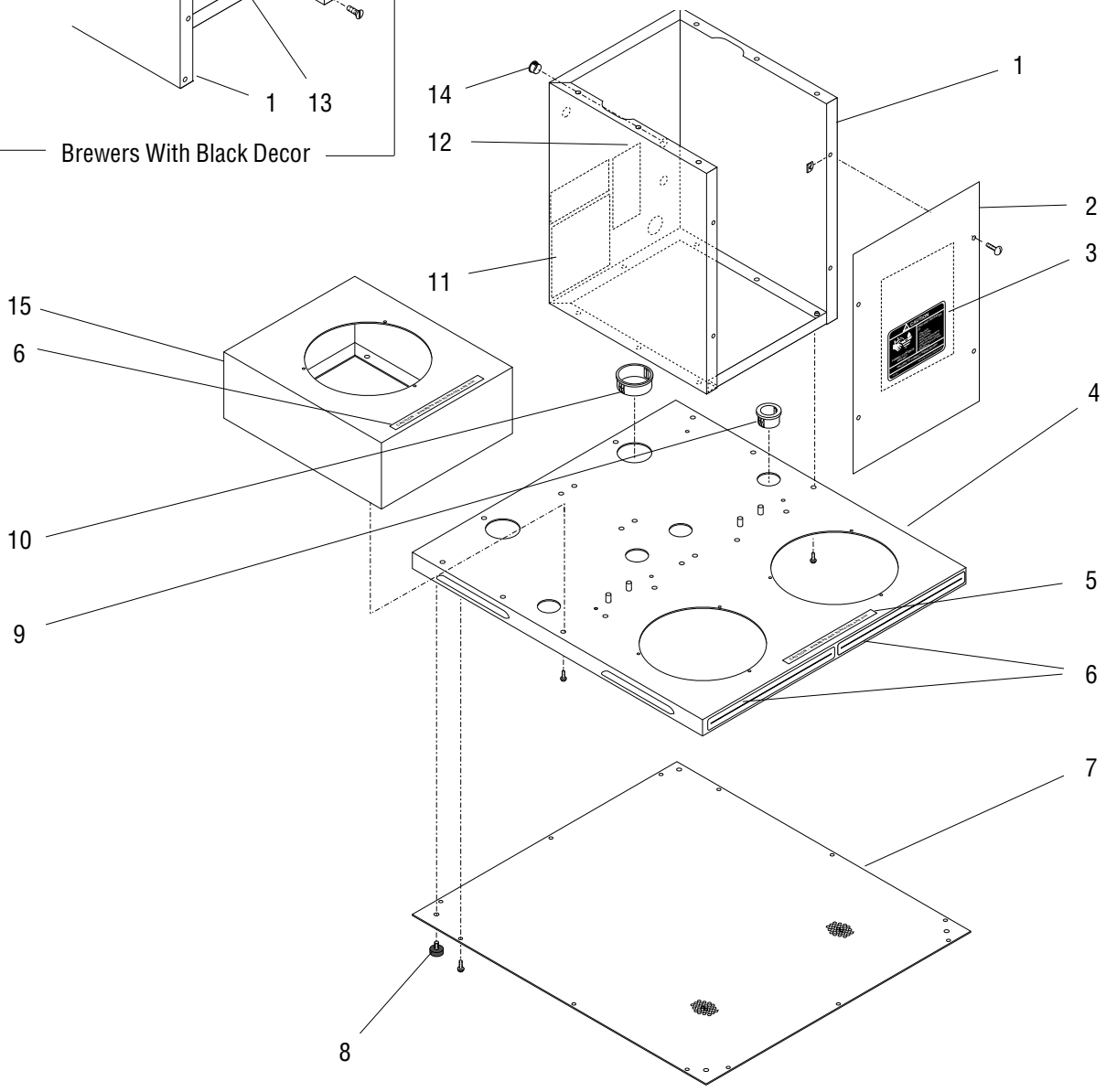
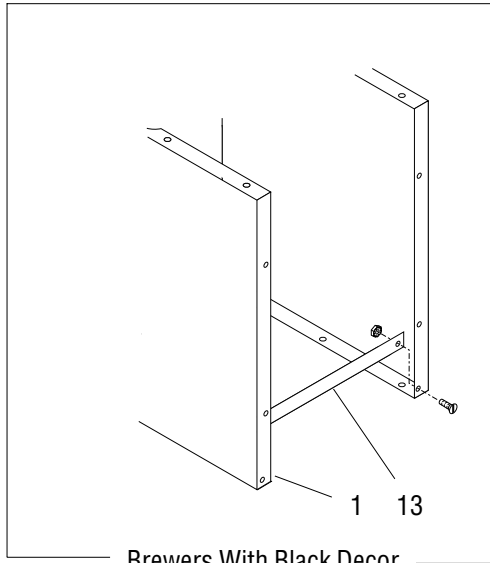
Brewers with Black Decor



TRUNKS AND PANELS - SST AND BLACK DECOR MODELS W/ONE WARMER BASE

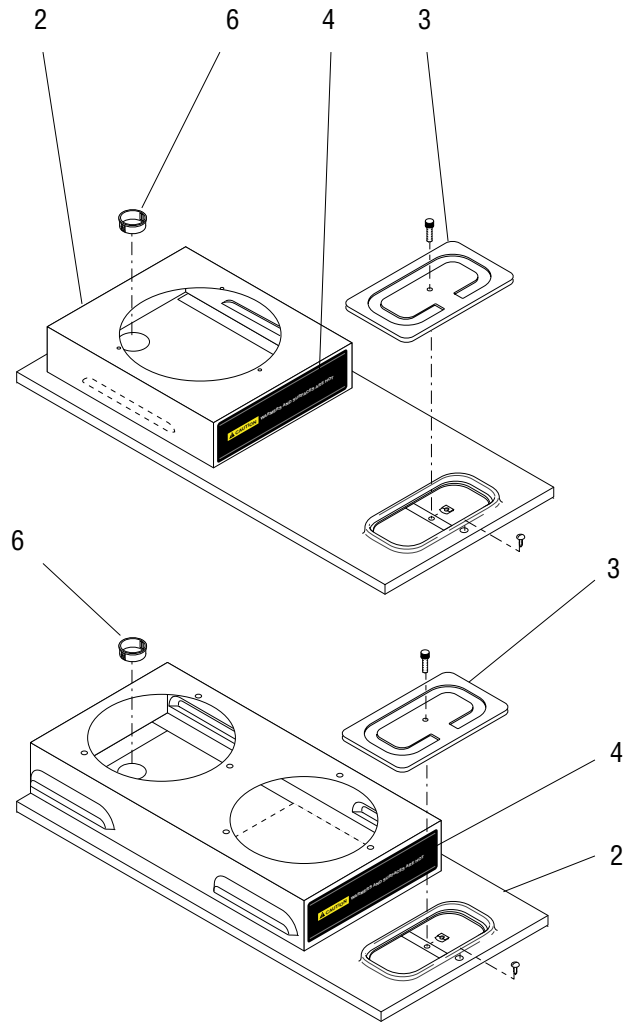
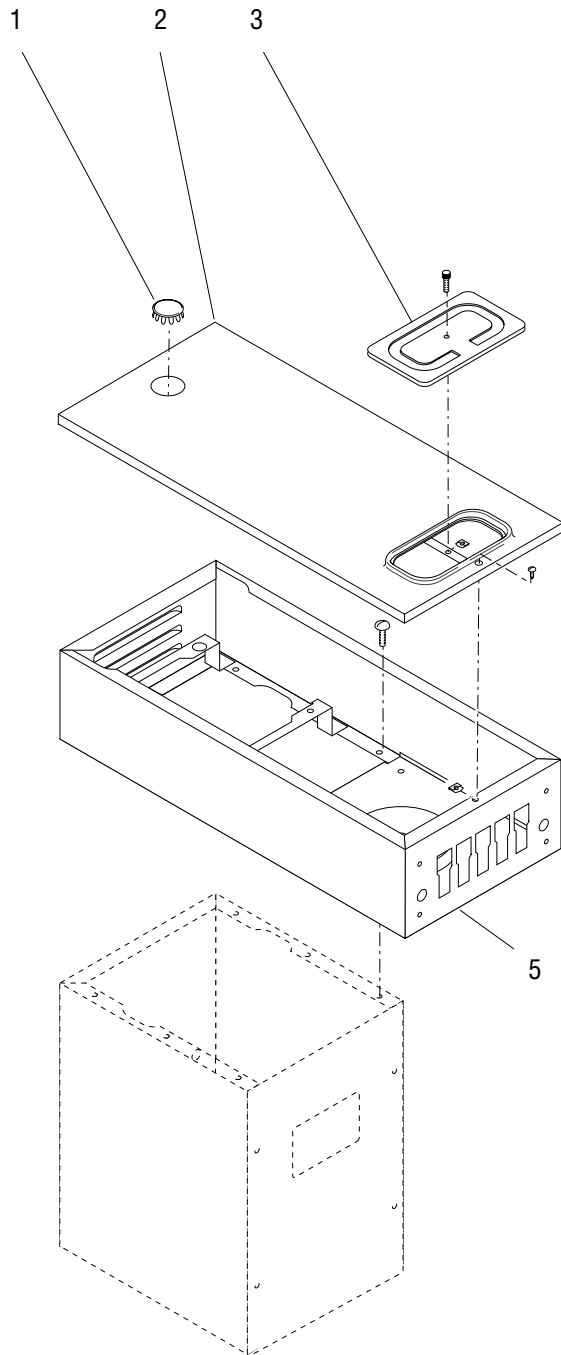
ITEM	PART NO.	QTY.	DESCRIPTION
1	25352.7000	1	Trunk W/Decals BLK (Includes Items 10 & 12)
	25352.7001	1	Trunk W/Decals SST (Includes items 10 & 12)
2	25144.7999	1	Panel W/Decals, Trunk - BLK (Includes items 3)
	25144.7998	1	Panel W/Decals, Trunk - SST (Includes items 3)
	01382.7999	4	Screw, Truss Head SST #6-32 x .375" (Pkg. 12)
	01382.7997	4	Screw, Truss Head BLK #6-32 x .375" (Pkg. 12)
	00988.7999	4	Fastener, U-Type #6-32 (Pkg. 12)
3	00658.7999	1	Decal, Caution - Decanter/Funnel (Pkg. 12)
4	25351.7000	1	Housing W/Decals, Base (Includes items 6 & 7)
	02308.7999	9	Screw, Pan Head #8-32 x .38" (Pkg. 12)
5	12364.7999	1	Decal, Caution - Warmers And Surfaces Are Hot (Pkg. 12)
6	22306.0000	1	Decal, Decorative Stripe
7	24805.0000	1	Cover, Base
	02332.7998	6	Screw, Hex-Crimptite #6 x .38" (Pkg. 12)
8	25137.0000	4	Foot, Rubber
9	01593.7999	1	Bushing, Snap 1.5" Dia. (Pkg. 6)
10	00831.0002	1	Decal, Warning - Electrical
11	13018.0200	1	Angle, Reinforcement
	01345.7999	2	Screw, Flat Head #6-32 x .50" (Pkg. 12)
	00973.7999	2	Nut, Keps #6-32 (Pkg. 12)
12	00670.7999	1	Plug, Hole - .437" Hole Dia (Brewers W/Out Faucet) (Pkg. 12)

} Brewers with Black Decor



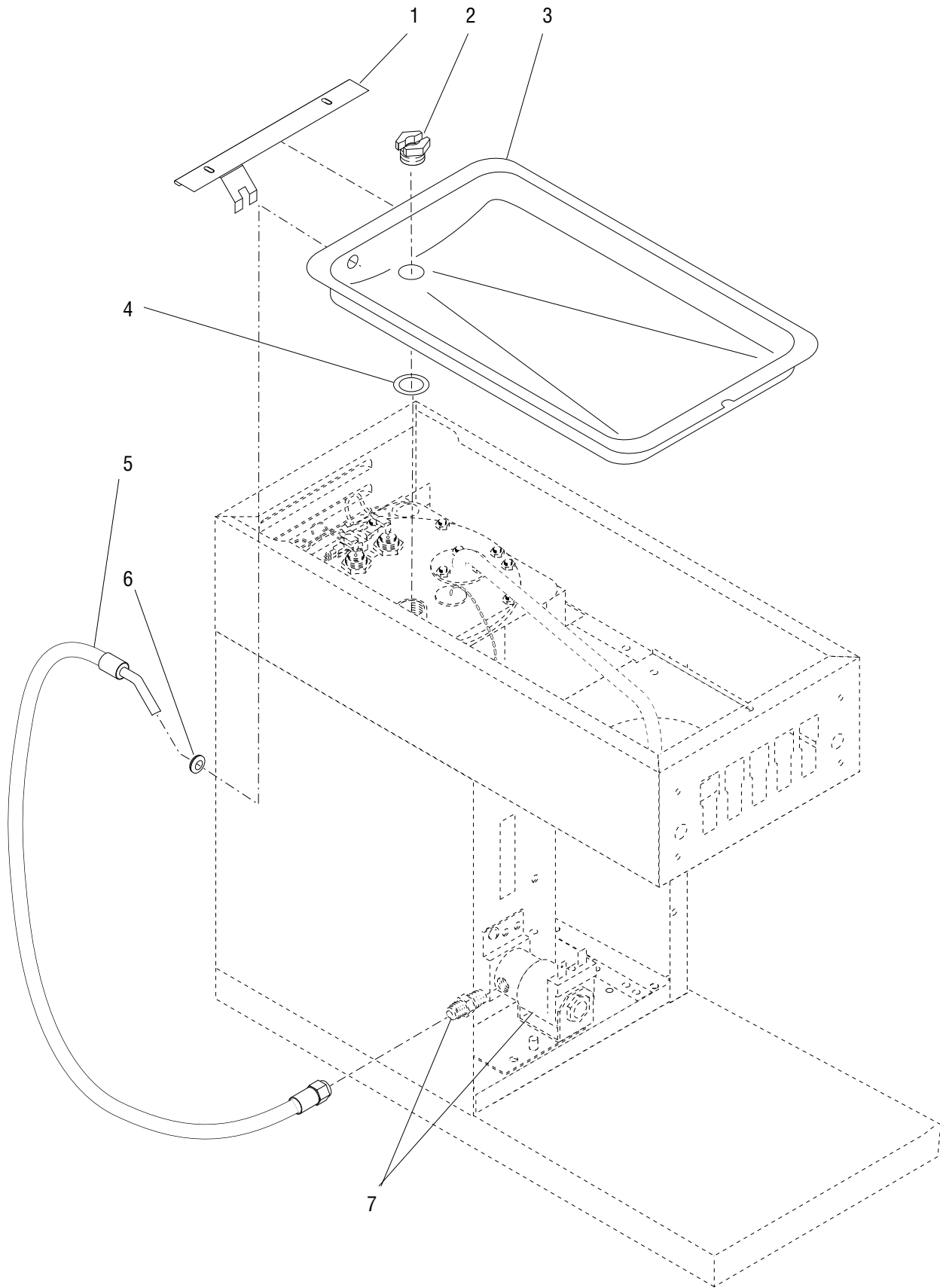
TRUNKS AND PANELS - BREWERS W/TWO WARMER BASE

ITEM	PART NO.	QTY.	DESCRIPTION
1	25352.7000	1	Trunk W/Decals BLK (Includes Items 11, 12, & 14)
	25352.7001	1	Trunk W/Decals SST (Includes items 11, 12, & 14)
2	25144.7999	1	Panel W/Decals, Trunk - BLK (Includes items 3)
	25144.7998	1	Panel W/Decals, Trunk - SST (Includes items 3)
	01382.7999	4	Screw, Truss Head SST #6-32 x .375" (Pkg. 12)
	01382.7997	4	Screw, Truss Head BLK #6-32 x .375" (Pkg. 12)
	00988.7999	4	Fastener, U-Type #6-32 (Pkg. 12)
3	00658.7999	1	Decal, Caution - Decanter/Funnel (Pkg. 12)
4	25657.7000	1	Housing W/Decals, Base (Includes items 5 & 6)
	02308.7999	16	Screw, Pan Head #8-32 x .38" (Pkg. 12)
5	12364.7999	2	Decal, Caution - Warmers And Surfaces Are Hot (Pkg. 12)
6	22306.0000	2	Decal, Decorative Stripe
7	12667.0001	1	Cover, Base
	02332.7998	12	Screw, Hex-Crimptite #6 x .38" (Eight less used on late Models) (Pkg. 12)
8	25137.0000	4	Foot, Rubber
9	01592.7999	2	Bushing, Snap 1" Dia. (Pkg. 12)
10	01593.7999	2	Bushing, Snap 1.5" Dia. (Pkg. 6)
11	00831.0002	1	Decal, Warning - Electrical
12	26225.0000	1	Decal, Flow Control/Strainer(Brewers W/External Flow Control and Faucet)
13	13018.0200	1	Angle, Reinforcement
	01345.7999	2	Screw, Flat Head #6-32 x .50" (Pkg. 12)
	00973.7999	2	Nut, Keps #6-32 (Pkg. 12)
			} Brewers with Black Decor
14	00670.7999	1	Plug, Hole - .437" I.D. (Brewers W/Out Faucet) (Pkg. 12)
15	25658.7999	1	Housing W/Decal, Side Warmer (Includes Item 5)



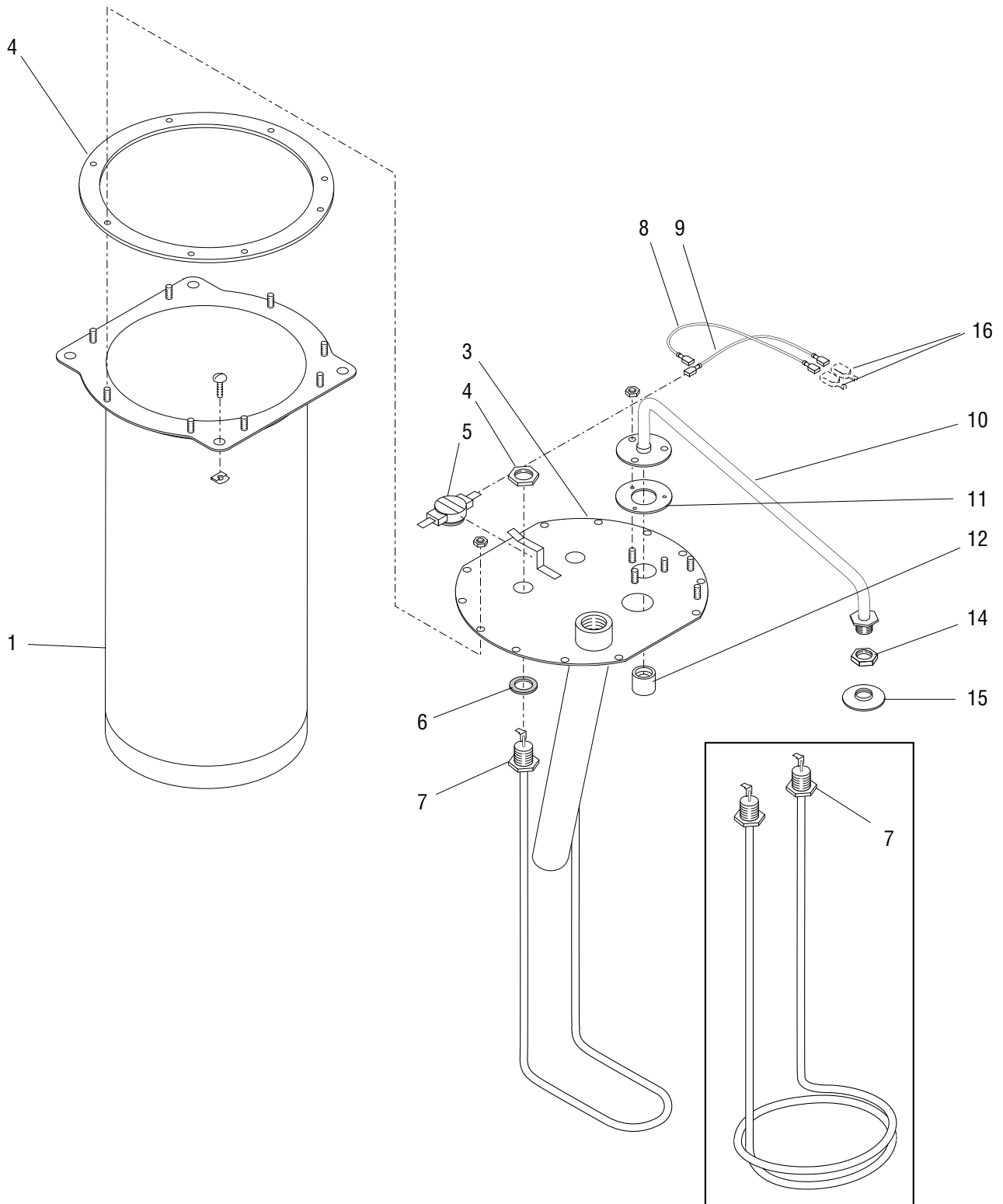
HOOD AND TOP COVERS - SST AND BLACK DECOR MODELS

ITEM	PART NO.	QTY.	DESCRIPTION
1	02999.0000	1	Plug, Hole 1.19" Dia.
2	25310.0001	1	Cover, Top
	25633.7001	1	Cover W/Decal, Top (Brewers W/One Top Warmer) (Includes items 4 & 6)
	25353.7999	1	Cover W/Decal, Top (Brewers W/Two Top Warmers) (Includes items 4 & 6)
	01303.7999	1	Screw, Pan Head #4-40 x .50" (Pkg. 12)
	00916.7999	1	Fastener, J-Type #4-40 (Pkg. 12)
3	02722.0000	1	Lid, Pour-In
	01319.7999	1	Screw, Thumb #8-32 x .75" (Pkg. 12)
	00912.7999	1	Fastener, J-Type #8-32 (Pkg. 12)
4	02765.7999	1	Decal, Caution - Warmers and Surfaces Are Hot (Pkg. 12)
5	13350.0006	1	Housing, Hood (For Brewers with 7.125" Dia Funnel)
	13350.0011	1	Housing, Hood (For Brewers with 7.625" Dia Funnel)
	02308.7999	6	Screw, Pan Head #8-32 x .38" (Pkg. 12)
6	01592.7998	1	Bushing, Snap 1.188" Dia (Pkg. 12)
	01592.7999	1	Bushing, Snap 1.0" Dia. (Pkg. 12)



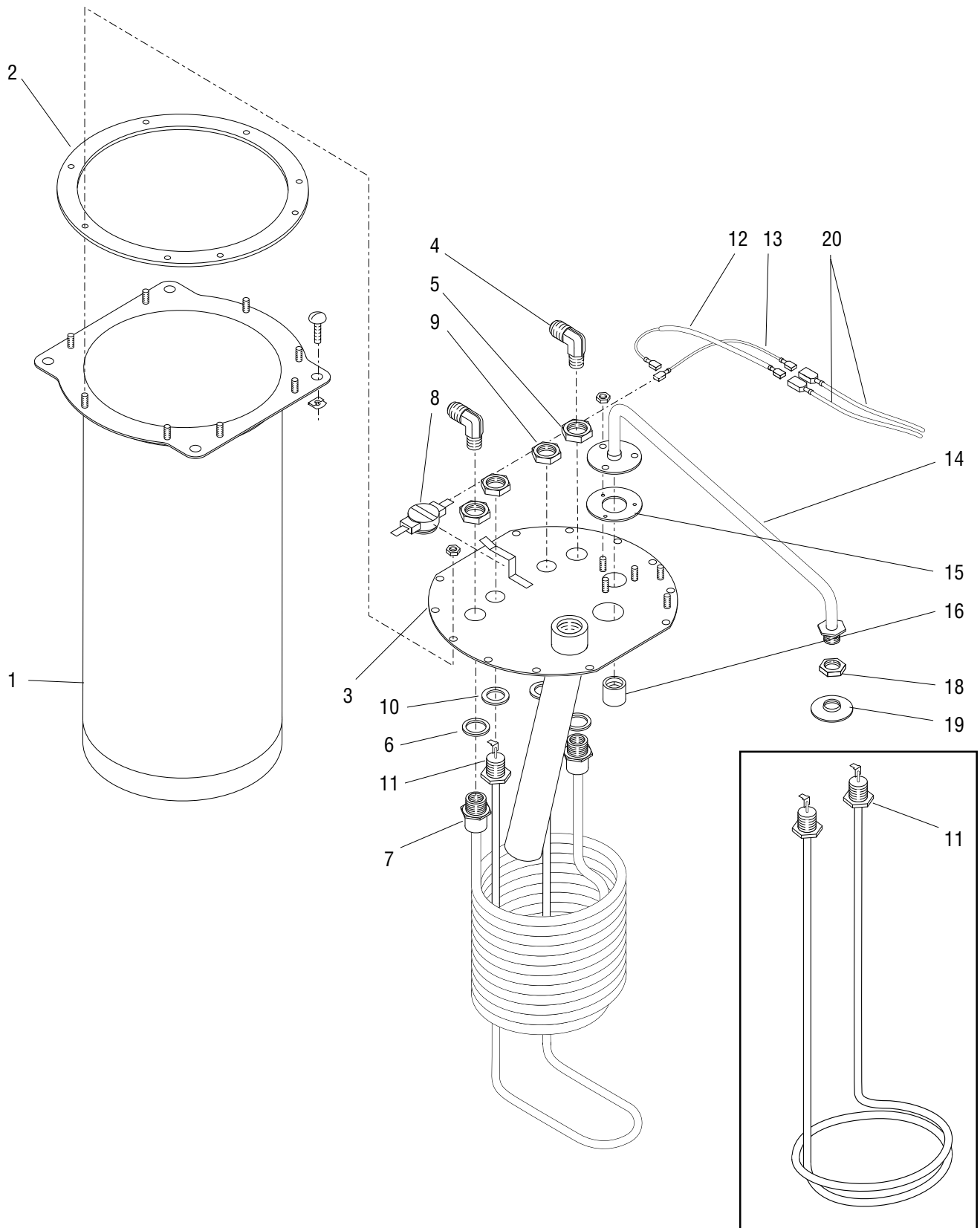
FILL BASIN

ITEM	PART NO.	QTY.	DESCRIPTION
1	27514.0000	1	Plate, Splash Guard
2	01212.0000	1	Fitting, Tank Inlet
3	04270.7998	1	Fill Basin
4	01201.7999	1	Gasket, Tank Inlet (Pkg. 12)
5	12914.0502	1	Tube Assembly, Solenoid To Fill Basin (Includes item 6)
6	12928.0000	1	Grommet, Basin
7	-----	-	Solenoid Assembly (See STRAINER-FLOW CONTROL, SOLENOID & LINES)



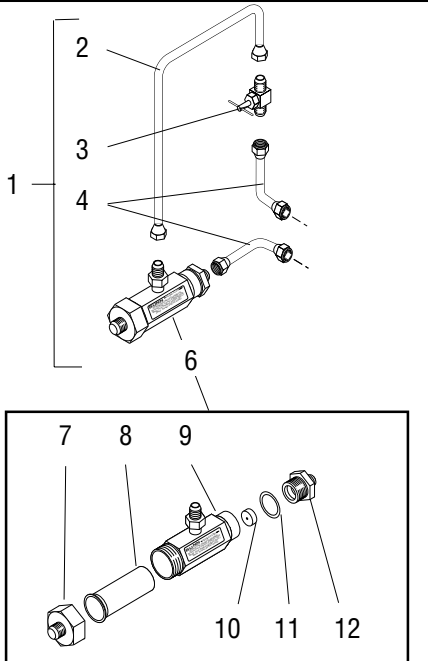
TANK AND COMPONENTS W/OUT FAUCET

ITEM	PART NO.	QTY.	DESCRIPTION
-	25319.7999	1	Tank Assy, 1150W 120V (Includes items 1 thru 11)
	25319.7996	1	Tank Assy, 1450W 120V (Includes items 1 thru 11)
	25319.7998	1	Tank Assy, 3500W 120/240V (Includes items 1 thru 11)
	01315.7999	2	Screw, Truss Head #8-32 x .3/8" (Pkg. 12)
	00912.7999	2	Fastener, J-Type #8-32 (Pkg. 12)
1	04118.0000	1	Tank
2	04221.0000	1	Gasket, Tank Lid
3	25158.7002	1	Tank Lid Weldment
	00908.7999	8	Nut, Hex #8-32 (Pkg. 12)
4	00942.7999	2	Nut, Hex .50"-20 (Pkg. 12)
5	04680.0000	1	Thermostat, Limit
6	00943.7999	2	Gasket, Tank Heater (Pkg. 2)
7	04236.7998	1	Tank Heater, 1150W 120V
	04636.7999	1	Tank Heater, 1450W 120V
	04637.7999	1	Tank Heater, 3500W 240V
			Includes item 6
8	23769.7000	1	Lead, Electrical BLK (Thermostat to Heater)
9	23768.7000	1	Lead, Electrical BLU(Thermostat to Limit)
10	11431.7002	1	Sprayhead Tube Kit (Includes 3 mounting nuts below & items 11 & 12)
	00908.7999	3	Nut, Hex #8-32 (Pkg. 12)
11	05515.0000	1	Gasket, Sprayhead Tube
12	05518.0000	1	Hub, Syphon
13	12949.7001	1	Wiring Harness, Heater/Limit to Main Harness 120V
	12949.7002	1	Wiring Harness, Heater/Limit to Main Harness 120/240V
			Used on Brewers prior to April 1995. Not Illustrated
14	01075.7999	1	Nut, Hex .438" - 20 (Pkg. 12)
15	01082.0000	1	Sprayhead, 6-Hole
16	-----	-	Thermostat Leads (See Electrical and Operating Controls)

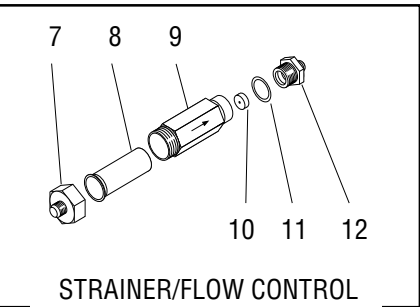


TANK AND COMPONENTS W/FAUCET

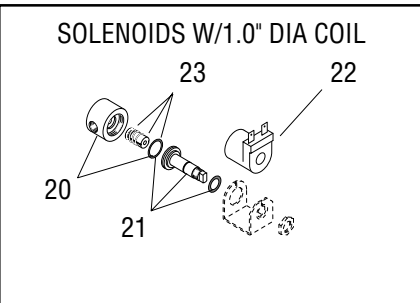
ITEM	PART NO.	QTY.	DESCRIPTION
-	25320.7995	1	Tank Assy, 1150W 120V (Includes items 1 thru 17)
	25320.7999	1	Tank Assy, 1450W 120V (Includes items 1 thru 17)
	25320.7997	1	Tank Assy, 3500W 240V (Includes items 1 thru 17)
	01315.7999	2	Screw, Truss Head #8-32 x .375" (Pkg. 12)
	00912.7999	2	Fastener, J-Type #8-32 (Pkg. 12)
1	04118.0000	1	Tank
2	04221.0000	1	Gasket, Tank Lid
3	25158.7003	1	Tank Lid Weldment
	00908.7999	8	Nut, Hex #8-32 (Pkg. 12)
4	00400.0000	2	Elbow, Male .250" Flare x .125" MPT
5	12687.7999	2	Nut, Hex Brass .562"-24 (Water Coil) (Pkg. 12)
6	12688.0000	2	Gasket, Water Coil
7	12689.7999	1	Coil Assy, Hot Water (Includes item 6)
8	04680.0000	1	Thermostat, Limit
9	00942.7999	2	Nut, Hex .50"-20 (Tank Heater) (Pkg. 12)
10	00943.7999	2	Gasket, Tank Heater (Pkg. 2)
11	04236.7998	1	Tank Heater, 1150W 120V
	04636.7999	1	Tank Heater, 1450W 120V
	04637.7999	1	Tank Heater, 3500W 240V
			} Includes item 10
12	20211.0100	1	Thermal Safety Fuse (Thermostat to Heater)
13	23768.7000	1	Lead, Electrical BLU (Thermostat to Limit)
14	11431.0002	1	Sprayhead Tube Kit (Includes 3 mounting nuts below & items 15 & 16)
	00908.7999	3	Nut, Hex #8-32 (Pkg. 12)
15	05515.0000	1	Gasket, Sprayhead tube
16	05518.0000	1	Hub, Syphon
17	12949.7001	1	Wiring Harness, Heater/Limit to Main Harness 120V
	12949.7002	1	Wiring Harness, Heater/Limit to Main Harness 120V/240V
			} Used on Brewers prior to April 1995. Not Illustrated
18	01075.7999	1	Nut, Hex .438"-20 (Pkg. 12)
19	01082.0000	1	Sprayhead, 6-Hole
20	-----	-	Thermostat Leads (See Electrical and Operating Controls)



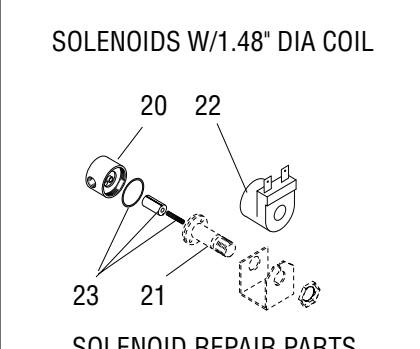
EARLY BREWERS WITH FAUCET



STRAINER/FLOW CONTROL REPAIR PARTS

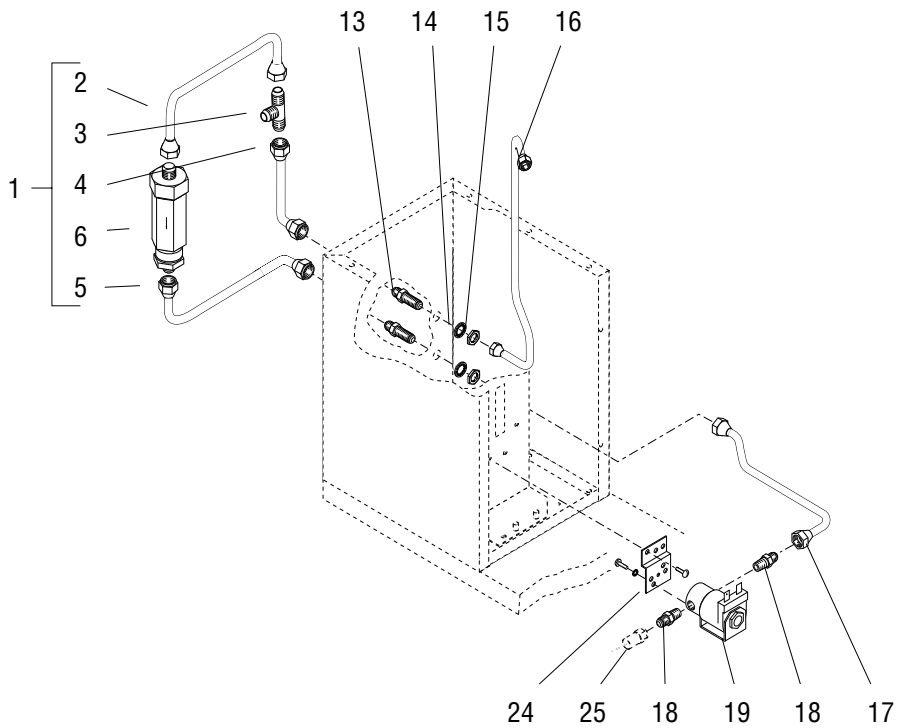


SOLENOIDS W/1.0" DIA COIL

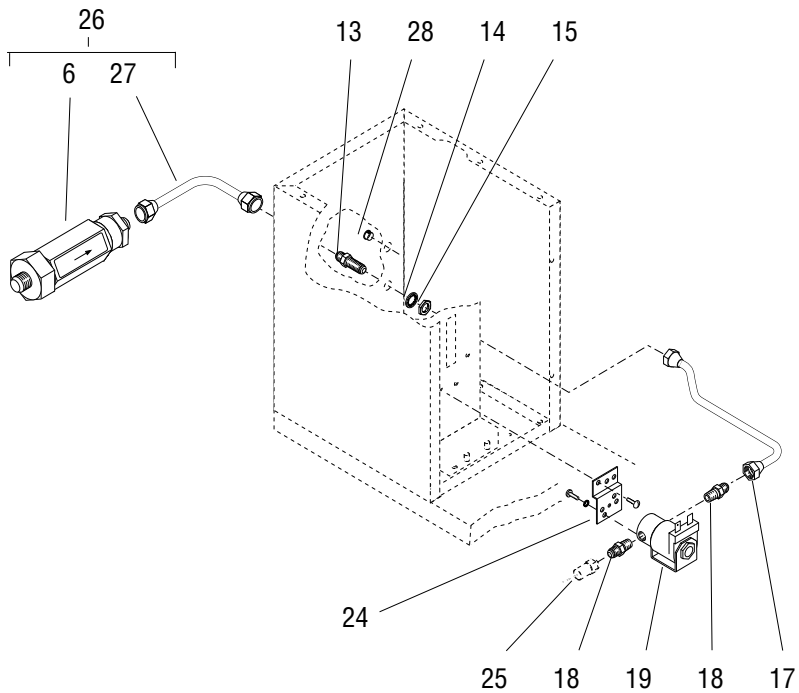


SOLENOIDS W/1.48" DIA COIL

SOLENOID REPAIR PARTS



BREWERS WITH FAUCET



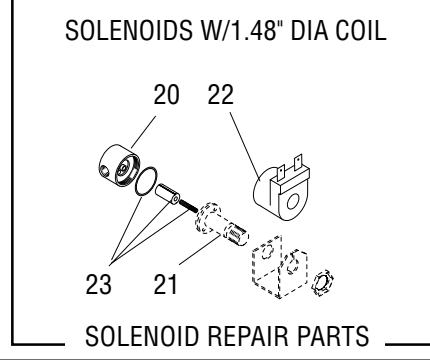
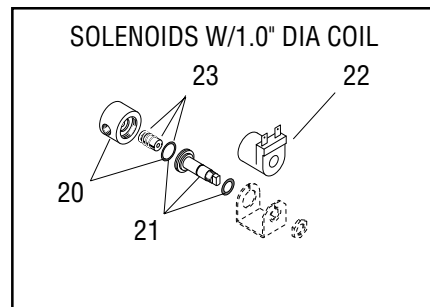
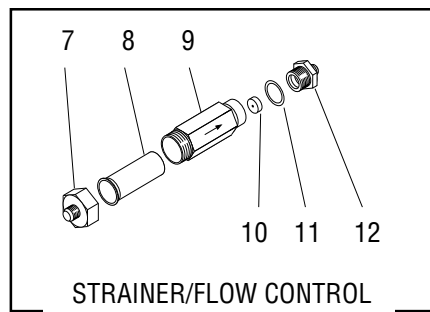
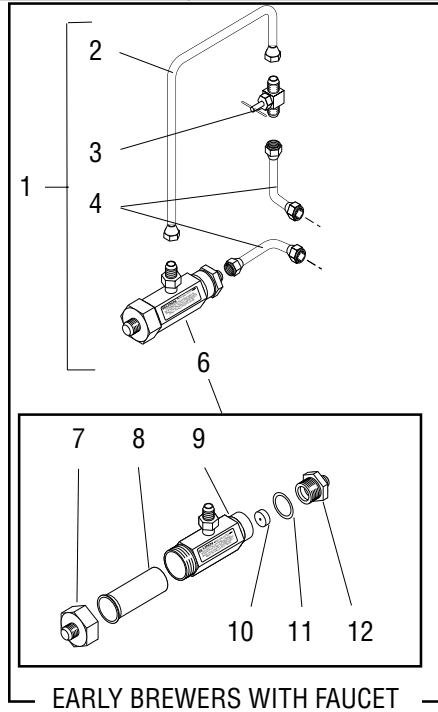
BREWERS WITHOUT FAUCET

EXTERNAL STRAINER - FLOW CONTROL, SOLENOID AND LINES

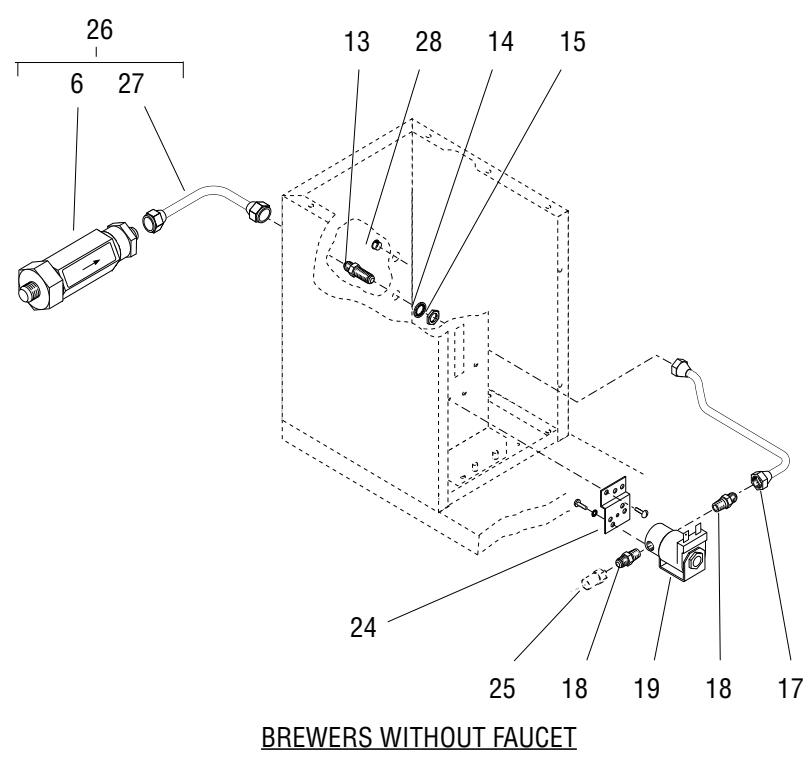
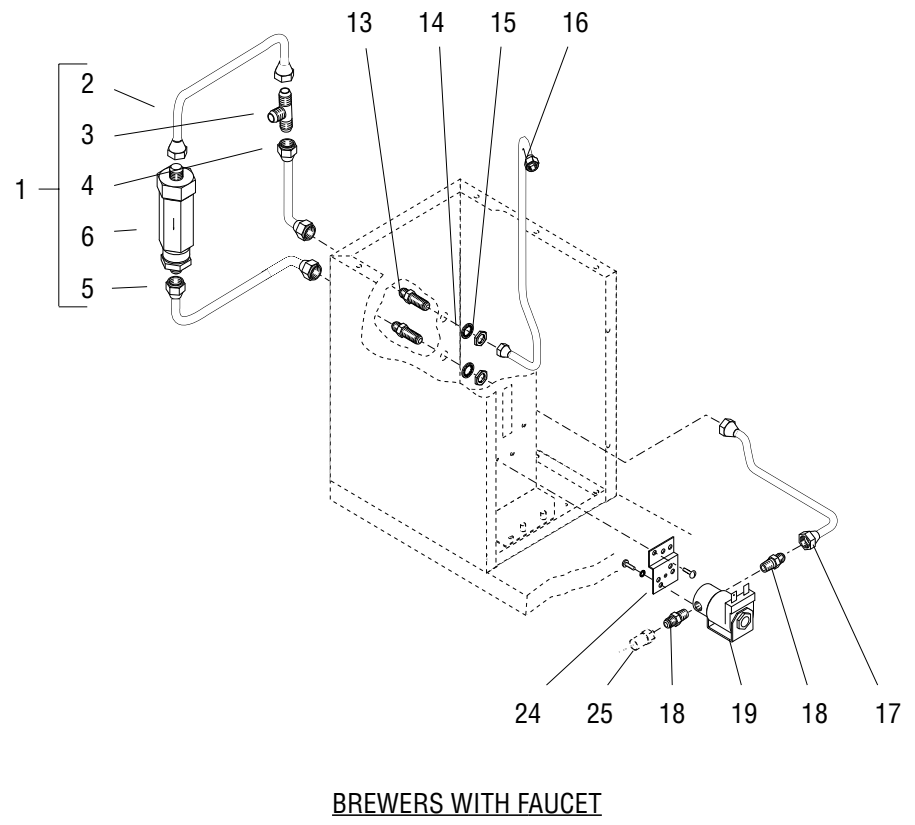
ITEM	PART NO.	QTY.	DESCRIPTION
			* FIRST TYPE ** SECOND TYPE
		*	**
1	----- 24394.7222	1 -	- 1 Strainer/Flow Control Assembly (.222 GPM) (Includes items 2 thru 4 & 6) (Brewerswith Faucet) (Not Available. Order 24394.0222) Strainer/Flow Control Assembly (.222 GPM) (Includes items 2 thru 6) (Brewers with Faucet)
2	24393.7000 26216.7000	1 -	- 1 Tube Assembly, Flow Control to Needle Valve Tube Assembly, Flow Control to Tee
3	00484.0000 20577.0000	1 -	- 1 Needle Valve, .250" Flare Tee, .250" Flare
4	21812.7002 21814.7016	2 -	- 1 Tube Assembly, Flow Control to Bulkhead and Needle Valve To Bulkhead Tube Assembly, Tee to Bulkhead
5	26217.7000	-	1 Tube Assembly, Flow Control to Bulkhead
6	----- 22300.7222	1 1	- 1 Strainer/Flow Control Assembly (.222 GPM)(Includes items 7 thru 12)(Brewers with Faucet))Not Available. Order item 1) Strainer/Flow Control Assembly (.222 GPM)(Includes items 7 thru 12)(Brewers without Faucet)(Also used on Brewers with second type strainer/flow control and faucet)
7	22249.0000	1	1 Fitting, Flow Control Inlet
8	23721.0000	1	1 Screen
9	-----	1	1 Body (Not Available. Order Item 6)
10	20526.7222	1	1 Flow Washer/Gasket Set (.222 GPM) (Includes item 11)
11	01155.0000	1	1 Gasket, Flow Control
12	01154.0000	1	1 Fitting, Flow Control Outlet
13	00459.0000	2	2 Fitting, Bulkhead .250" Flare
14	01532.0000	2	2 Lockwasher, Internal Tooth .438"
15	00463.7999	2	2 Nut, Hex .438"-20 (Pkg. 12)
16	20690.0000	1	1 Tube Assembly, Bulkhead to Coil
17	12645.0002	1	1 Tube Assembly, Bulkhead to Solenoid
18	00402.7999	2	2 Connector, Male .250" Flare x .125"MPT (Pkg. 12)

} One less used on Brewers
without Faucet

(Continued)

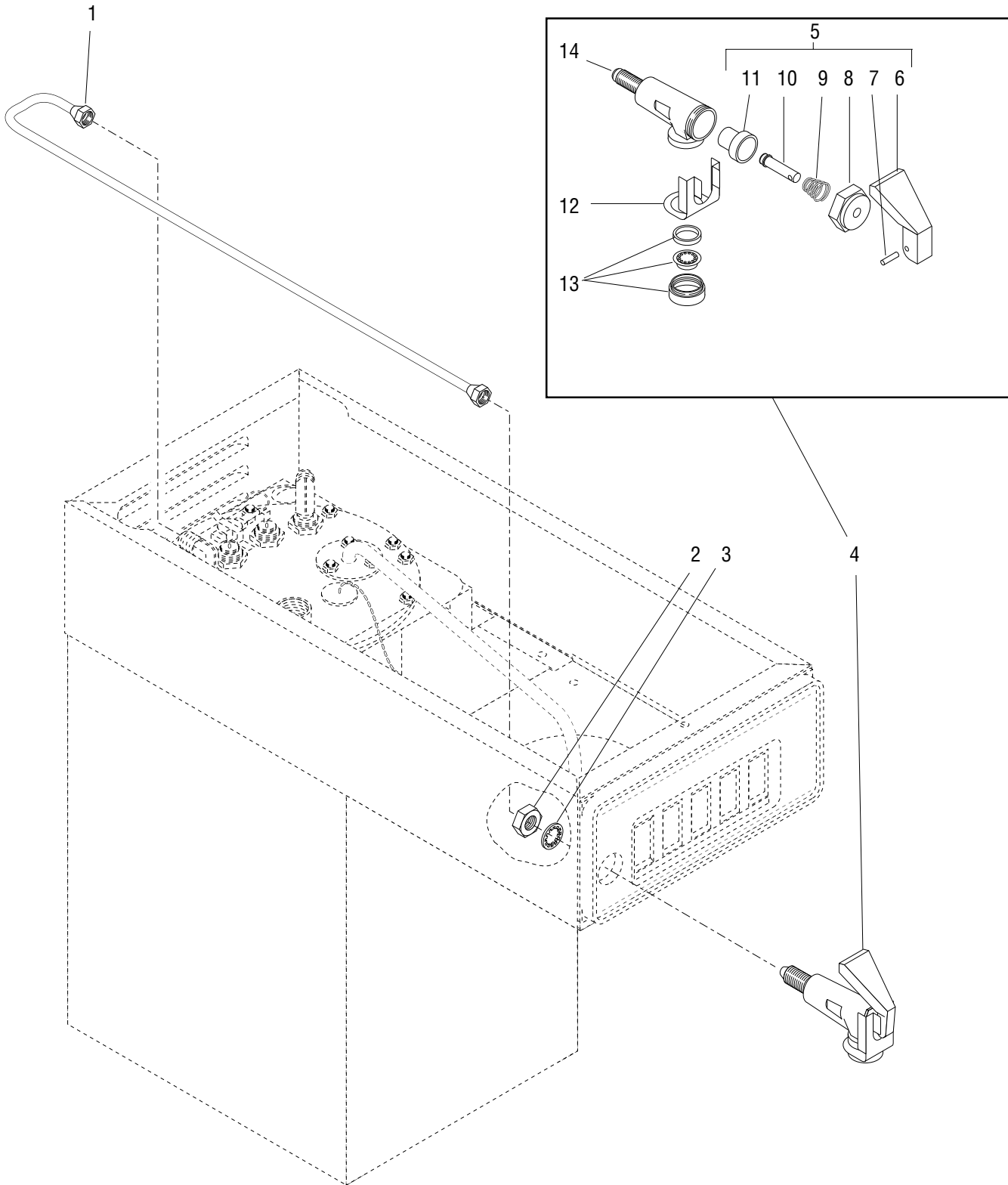


(Continued)



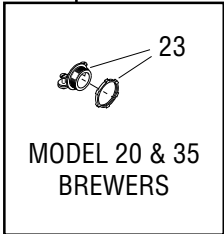
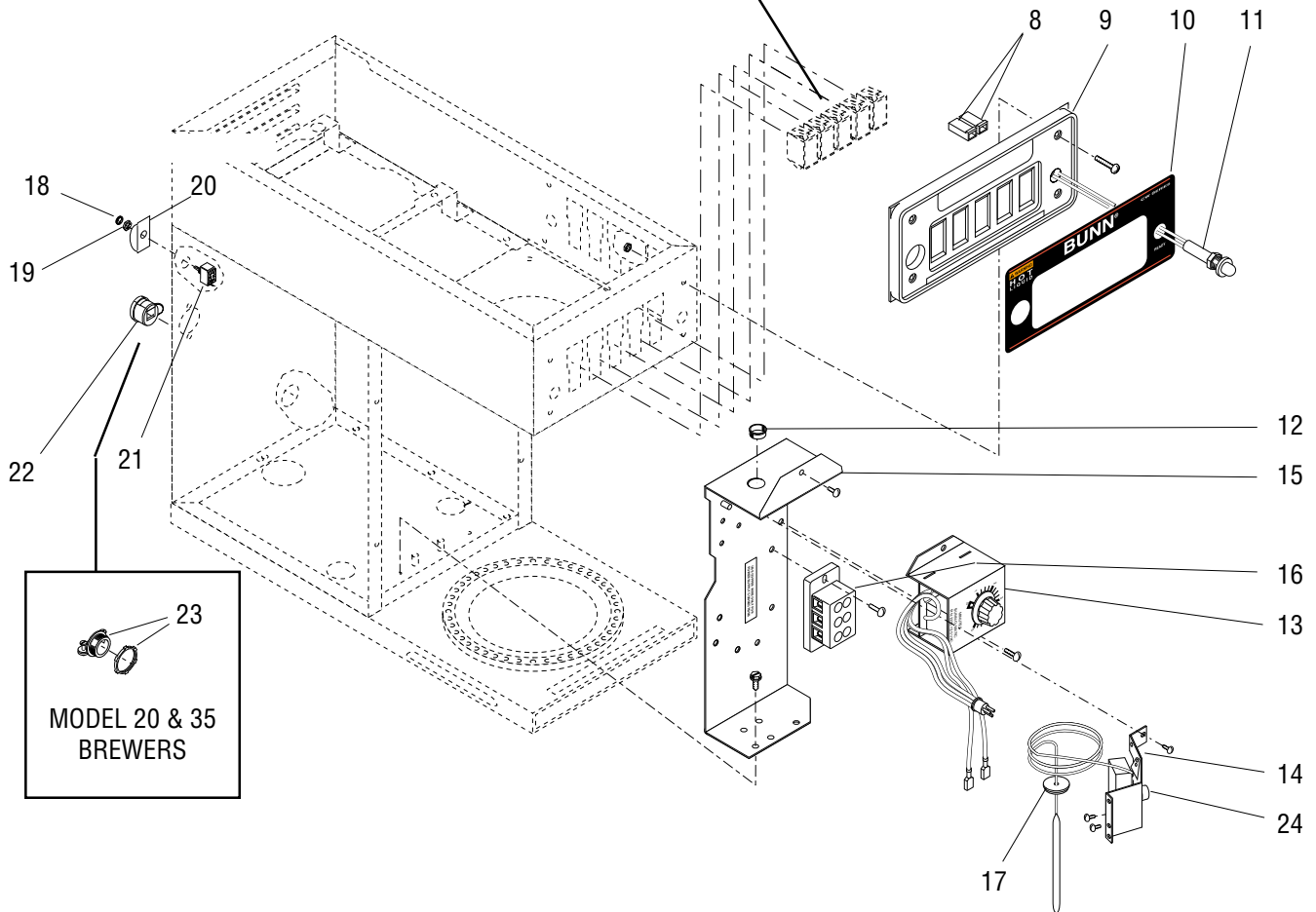
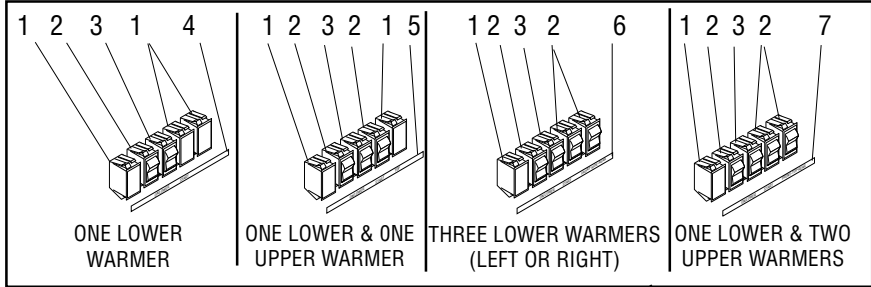
EXTERNAL STRAINER - FLOW CONTROL, SOLENOID AND LINES

ITEM	PART NO.	QTY.		DESCRIPTION
				*FIRST TYPE
				**SECOND TYPE
		*	**	
19	01085.7999	1	1	Solenoid Valve, 120V-1.48" Dia Coil
	01085.0002	1	1	Solenoid Valve, 120V-1.0" Dia Coil
	01975.0000	1	1	Solenoid Valve, 240V
	01327.7999	2	2	Screw, Pan Head #10-32 x .375" (Pkg. 12)
	01502.7999	2	2	Lockwasher, Split #10 (Pkg. 12)
20	01079.0000	1	1	Solenoid Valve Base - 1.48" Dia Coil (Not available, order 01085.0002)
	28479.0000	1	1	Solenoid Valve Base Kit - 1.0" Dia Coil (Includes O-ring)
21	01116.0000	1	1	Guide - 1.48" Dia Coil
	28481.0000	1	1	Guide Kit - 1.0" Dia Coil (Includes Washer & O-ring)
22	01101.0000	1	1	Solenoid Valve Coil, 120V - 1.48" Dia Coil
	28480.0000	1	1	Solenoid Valve Coil, 120V - 1.0" Dia Coil
	01100.7000	1	1	Solenoid Valve Coil, 240V
23	01111.7001	1	1	Solenoid Valve Repair Kit - 1.48" Dia Coil (Includes Plunger, Seal and Spring)
	01111.0002	1	1	Solenoid Valve Repair Kit - 1.0" Dia Coil (Includes Plunger, Spring and O-ring)
24	07441.0000	1	1	Bracket, Solenoid Mounting
	02308.7999	2	2	Screw, Pan Head Serrated #8-32 x .375" (Pkg. 12)
25	-----	1	1	Tube Assembly, Solenoid to Fill Basin (See FILL BASIN)
26	24356.7222	1	1	Strainer/Flow Control Assembly (.222 GPM) (Includes items 6 & 26) (Brewers without Faucet)
27	00310.7000	1	1	Tube Assembly, Flow Control to Bulkhead
28	00670.7999	1	1	Plug, Hole .437" I.D. (Brewers without Faucet) (Pkg. 12)



FAUCET AND TUBING

ITEM	PART NO.	QTY.	DESCRIPTION
1	20691.7000	1	Tube Assembly, Coil to Faucet
2	13059.0000	1	Faucet Jam Nut
3	01532.0000	1	Lockwasher, Internal Tooth .438" I.D.
4	12915.0000	1	Faucet, Hot Water (Includes items 5 thru 14)
5	13061.0000	1	Faucet Handle/Stem Assembly (Includes items 6 thru 11)
6	13053.0000	1	Faucet Handle Kit (Includes item 7)
7	02858.0000	1	Pin, Spring .125" Dia x .50"
8	13060.0000	1	Faucet Bonnet Nut
9	13055.0000	1	Faucet Spring
10	13054.0000	1	Faucet Stem
11	13056.0000	1	Faucet Seat Cup
12	13057.0000	1	Faucet Safety Clip
13	13058.0000	1	Faucet Aerator Kit
14	-----	1	Body, Faucet (Not available. Order item 4)



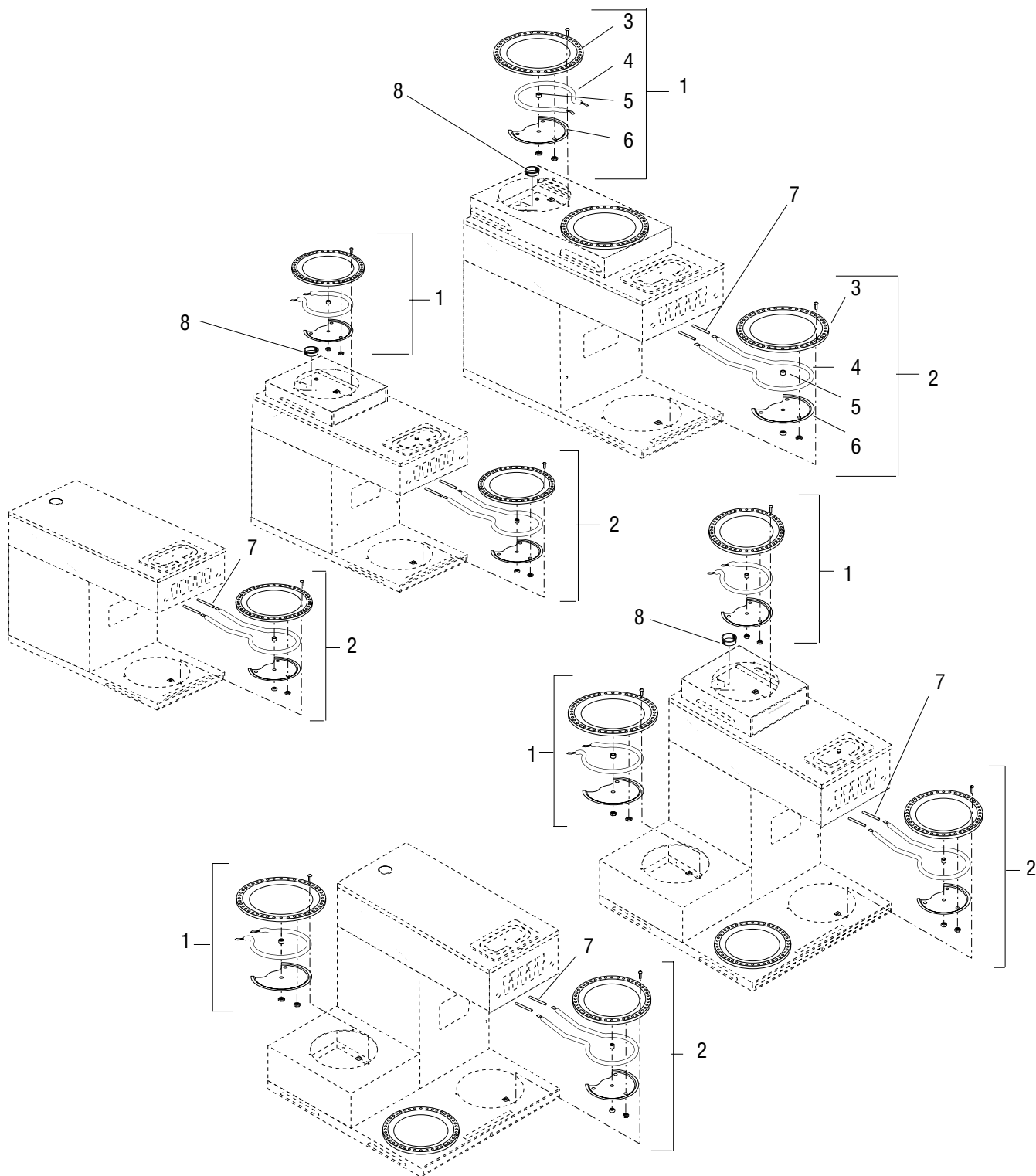
ELECTRICAL AND OPERATING CONTROLS

ITEM	PART NO.	QTY.	DESCRIPTION
1	12921.0000	-	Switch Blank, BLK
2	12920.0000	-	Switch ON/OFF 120V
3	01063.7999	1	Switch, Momentary Start
4	22295.7996	1	Label, Switch ON/OFF (One warmer brewer)
5	22295.7998	1	Label, Switch ON/OFF (Two warmer brewer)
6	22295.7997	1	Label, Switch ON/OFF (Three lower warmer brewer left or right)
7	22295.7999	1	Label, Switch ON/OFF (One lower warmer and two upper warmer brewer)
8	04243.7998	2	Terminal Housing, Receptacle (Pkg. 12)
9	13352.0008	1	Control Panel
	02301.7999	4	Screw, Phillip Pan Head #6-32 x .625" (Pkg. 12)
	00973.7999	4	Nut, Keps #6-32 (Pkg. 12)
10	22289.0003	1	Decal, Control Panel (W/Faucet and Ready Light)
	22289.0001	1	Decal, Control Panel (W/Ready Light)
	22289.0000	1	Decal, Control Panel (W/Out Faucet and Ready Light)
	22289.0002	1	Decal, Control Panel (W/Faucet)
11	12984.0002	1	Light Assembly, 120V Green
	12984.0003	1	Light Assembly, 120V/240V & 240V Green
12	00606.7999	1	Bushing, Snap .875" Dia (Pkg. 12)
13	02235.0000	1	Timer, 5 Min. 120V
	02308.7999	1	Screw, Pan Head-Serrated #8-32 x .375" (Pkg. 12)
14	04229.7999	1	Thermostat Kit
	02308.7999	1	Screw, Pan Head #8-32 x .375" (Mounting) (Pkg. 12)
15	12698.0000	1	Bracket Assembly, Component Mounting
	01347.7998	1	Screw, Truss Head #6-32 x .375"
	02332.7999	1	Screw, Hex-Crimptite #6 x .250" (Pkg. 12)
16	07038.0000	1	Terminal Block, 3 Pole-Red/White/Black
	01317.7999	2	Screw, Truss Head #8-32 x .50" (Pkg. 12)
17	07073.0000	1	Grommet, Thermostat
18	23697.0000	1	Facenut, Plastic
19	23696.0000	1	Nut, Hex
20	25102.0000	1	Bracket, Switch Indicator/Guard
21	23522.0000	1	Switch, ON/OFF Toggle (Includes item 20)
22	01686.7999	1	Bushing, Strain Relief (Model 15 Brewers) Not Illustrated
23	01685.0000	1	Connector, Cable .50 MPT (Model 20 & 35 Brewers)
24	00720.0000	1	Knob, Thermostat
25	01637.7000	1	Power Cord Assembly (Model 15 Brewers Only)
26	12985.7000	1	Wiring Harness, Ready Light

} Use as required

} Includes Item 9

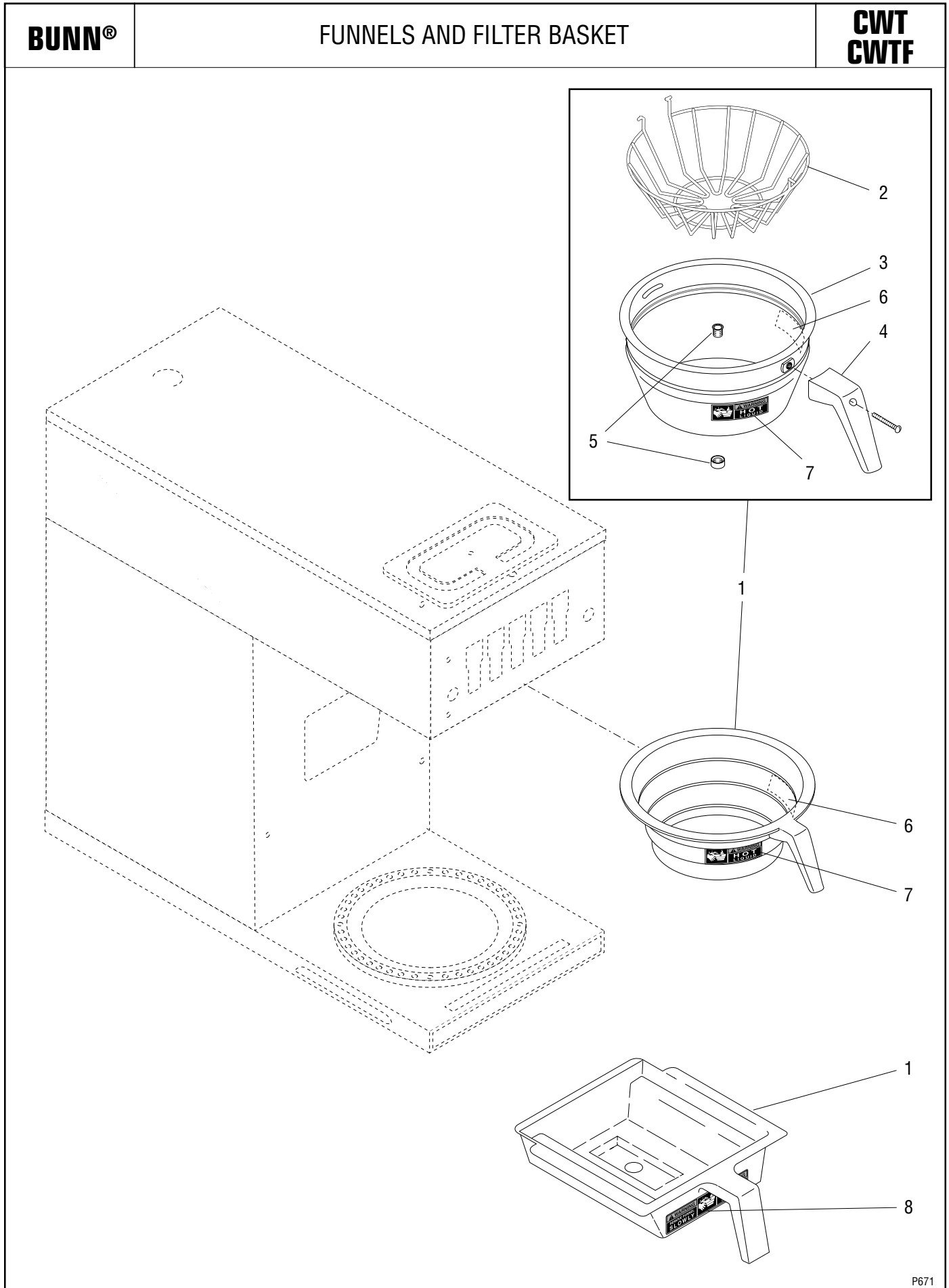
} Not Illustrated



WARMER ASSEMBLIES

ITEM	PART NO.	QTY.	DESCRIPTION
1	03652.7500	1	Warmer Assembly 100W 120V, Top and Side Warmers (Includes items 3 thru 6)
	01303.7999	3	Screw, Pan Head - SST #4-40 x .50" (Pkg. 12)
	00916.7999	3	Fastener, J-Type #4-40 (Pkg. 12)
2	11440.7505	1	Warmer Assembly 100W 120V, Base Warmers (Includes items 3 thru 6)
	01303.7999	3	Screw, Pan Head - SST #4-40 x .50" (Pkg. 12)
	00916.7999	3	Fastener, J-Type #4-40 (Pkg. 12)
3	03656.0000	1	Warmer Dish, Blk 45 Hole
4	01227.7000	1	Warmer Element 100W 120V Top and Side Warmers
	11442.7000	1	Warmer Element 100W 120V Base Warmers
5	13042.7999	1	Spacer, .174" I.D. x .188 Not Illustrated
6	05212.0000	1	Plate, Element Retaining
	00970.7999	2	Nut, Keps #8-32 (Pkg. 12)
7	-----	2	Tube, Silicone .250" Dia x 1.88" LG. (Order Item 10)
8	-----	1	Bushing, Snap 1.188" Dia. (See Hood And Top Covers)
9	25348.7000	1	Wiring Harness, One Rear Top Warmer Brewers 120V
10	04828.1001	-	Tube, Silicone .250" Dia. x 24" LG (Use as required)

} Not Illustrated



FUNNELS AND FILTER BASKET

ITEM	PART NO.	QTY.	DESCRIPTION
1	20583.7003	1	Funnel W/Decals, Plastic (Black 7.25' Dia) (Includes items 6 and 7)
	20583.7006	1	Funnel W/Decals, Plastic (Orange 7.25" Dia) (Includes items 6 and 7)
	28553.7000	1	Funnel Assy, SST W/Black Handle (7.125" Dia) (Includes items 2 thru 5)
	28553.7001	1	Funnel Assy, SST W/Orange Handle (7.125" Dia) (Includes items 2 thru 5)
	28554.7000	1	Funnel Assy, SST W/Black Handle (7.625" Dia) (Includes items 2 thru 5)
	28554.7001	1	Funnel Assy, SST W/Orange Handle (7.625" Dia) (Includes items 2 thru 5)
	04274.0002	1	Funnel W/Decals, Pouch-Pack Black (Large) (7.125") (Includes item 8)
2	20243.0000	1	Filter Basket (7.125" Dia)
	20247.0000	1	Filter Basket (7.625" Dia)
3	28553.7002	1	Funnel W/Decals, SST (7.125" Dia) (Includes items 6 and 7)
	28554.7002	1	Funnel W/Decals, SST (7.625" Dia) (Includes items 6 and 7)
4	20244.1000	1	Handle Kit, Black (Includes Screw)
	20244.1001	1	Handle Kit, Orange (Includes Screw)
	01331.7999	1	Screw, Round Head #10-32 x 1.50" (Pkg. 12)
5	01031.7999	1	Funnel Tip Kit
6	03408.7002	1	Decal, Warning-remove Funnel
7	03409.7002	1	Decal, Warning-Hot Liquid
8	28694.0000	1	Decal, Warning-Hot Liquid/Remove Funnel

NUMERICAL INDEX

PART NO.	PAGE NO.	PART NO.	PAGE NO.	PART NO.	PAGE NO.	PART NO.	PAGE NO.
00310.7000	17	02308.7999	3,5,7,17,21	13057.0000	19	25351.7000	3
00400.0000	13	02332.0001	21	13058.0000	19	25352.7000	3,5
00402.7999	15	02332.7998	5	13059.0000	19	25352.7001	3,5
00459.0000	15	02332.7999	3,5,21	13060.0000	19	25353.7999	7
00463.7999	15	02722.0000	7	13061.0000	19	25633.7001	7
00484.0000	15	02765.7999	7	13350.0006	7	25657.7000	5
00606.7999	21	02858.0000	19	13350.0011	7	25658.7999	5
00658.7999	3,5	02999.0000	7	13352.0000	21	26216.7000	15
00670.7999	3,5,17	03408.7002	25	13352.0008	21	26217.7000	15
00720.0000	21	03409.7002	25	20211.0100	13	26225.0000	5
00831.0002	3,5	03652.7500	23	20243.0000	25	27514.0000	9
00908.7999	11,13	03656.0000	23	20244.1000	25	28479.0000	17
00912.7999	7,11,13	04118.0000	11,13	20244.1001	25	28480.0000	17
00916.7999	7,23	04221.0000	11,13	20526.7222	15	28481.0000	17
00942.7999	11,13	04229.7999	21	20577.0000	15	28553.7000	25
00943.7999	11,13	04236.7998	11,13	20583.7003	25	28553.7001	25
00970.7999	23	04243.7998	21	20583.7006	25	28553.7002	25
00973.7999	3,5,21	04270.7998	9	20690.0000	15	28554.0000	25
00988.7999	3,5	04274.0002	25	20691.7000	19	28554.7001	25
01063.7999	21	04636.7999	11,13	21812.7002	15	28554.7002	25
01075.7999	11,13	04637.7999	11,13	21814.7016	15	28694.0000	25
01079.0000	17	04680.0000	11,13	22249.0000	15		
01082.0000	11,13	04828.1001	23	22289.0000	21		
01085.0002	17	05212.0000	23	22289.0001	21		
01085.7999	17	05515.0000	11,13	22289.0002	21		
01100.7000	17	05518.0000	11,13	22289.0003	21		
01101.0000	17	07038.0000	21	22295.7996	21		
01111.7001	17	07073.0000	21	22295.7997	21		
01111.0002	17	07441.0000	17	22295.7998	21		
01116.0000	17	11431.7002	11,13	22295.7999	21		
01154.0000	15	11440.7505	23	22300.7222	15		
01155.0000	15	11442.7000	23	22306.0000	3,5		
01201.7999	9	12364.7999	3,5	23522.0000	21		
01212.0000	9	12645.0002	15	23696.0000	21		
01227.7000	23	12667.0001	5	23697.0000	21		
01303.7999	7,23	12687.7999	13	23721.0000	15		
01315.7999	11,13	12688.0000	13	23768.7000	11,13		
01317.7999	21	12689.7999	13	23769.7000	11		
01319.7999	7	12698.0000	21	24356.7222	17		
01327.7999	17	12914.0502	9	24393.7000	15		
01331.7999	27	12915.0000	19	24394.7222	15		
01345.7999	3,5	12920.0000	21	24805.0000	3		
01347.7998	21	12921.0000	21	25102.0000	21		
01382.7997	3,5	12928.0000	9	25137.0000	3,5		
01382.7999	3,5,21	12949.7001	11,13	25144.7998	3,5		
01502.7999	17	12949.7002	11,13	25144.7999	3,5		
01532.0000	15,19	12984.0002	21	25158.7002	11		
01592.7999	5,7	12984.0003	21	25158.7003	13		
01592.7998	7	12985.7000	21	25310.0001	7		
01593.7999	3,5	13018.0200	3,5	25319.7996	11		
01637.7000	21	13042.7999	23	25319.7998	11		
01685.0000	21	13053.0000	19	25319.7999	11		
01686.7999	21	13054.0000	19	25320.7995	13		
01975.0000	17	13055.0000	19	25320.7997	13		
02235.0000	21	13056.0000	19	25320.7999	13		
02301.7999	21			25348.7000	23		