

TF Servers

ITEM# _____

PROJECT _____

DATE _____

Features

BUNN ThermoFresh servers

- Vacuum insulated to keep coffee hot and fresh for hours.
- Contemporary styling and wrap program for maximum merchandising.
- Built-in drip tray attached to the server for transportation—easily removed for cleaning.
- Large cup clearance allows for dispensing into cups, decanters and thermal carafes.
- Fast flow faucet.
- Brew-through lid.
- Stackable design for dry storage.
- Ideal for use with Single or Dual TF DBC Brewers.



1 and 1.5 gallon TF Servers *

(sold separately)

Dimensions (1 gal): 20.6" H x 9.6" W x 14.1" D
(52.3cm H x 24.4cm W x 35.8cm D)

Dimensions (1.5 gal): 22.5" H x 9.9" W x 16.3" D
(57.2cm H x 25.2cm W x 41.4cm D)

For current specification sheets and other information, go to www.bunn.com.

**International models may vary in appearance.*

Related Products

Dual TF DBC

Product No.: 34600.0001

Dimensions: 35.7" H x 21.8" W x 20.2" D
(90.7cm H x 55.4cm W x 51.3cm D)



Single TF DBC

Product No.: 34800.0000

Dimensions: 35.7" H x 12.1" W x 19.2" D
(90.7cm H x 30.7cm W x 48.8cm D)



Brewer/Server Compatibility		
Brewer	1.5 Gal TF w/base	1 Gal TF w/base
ICB	No	No
ITCB (short)	No	No
ITCB (tall)	Yes	Yes
Single TF	Yes	Yes
Dual TF	Yes	Yes

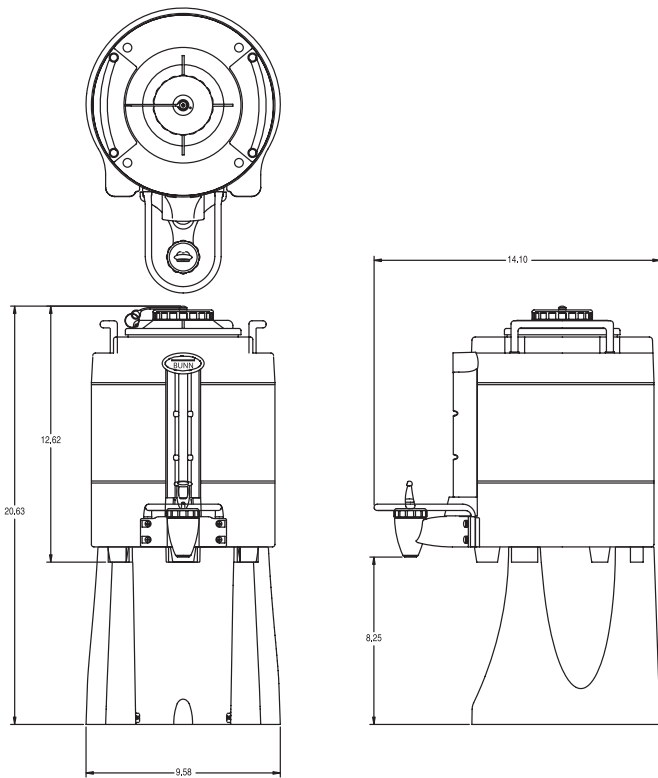
Model	Agency Listing	International Model	Agency Listing
TF Server		TF Server	

Dimensions & Specifications

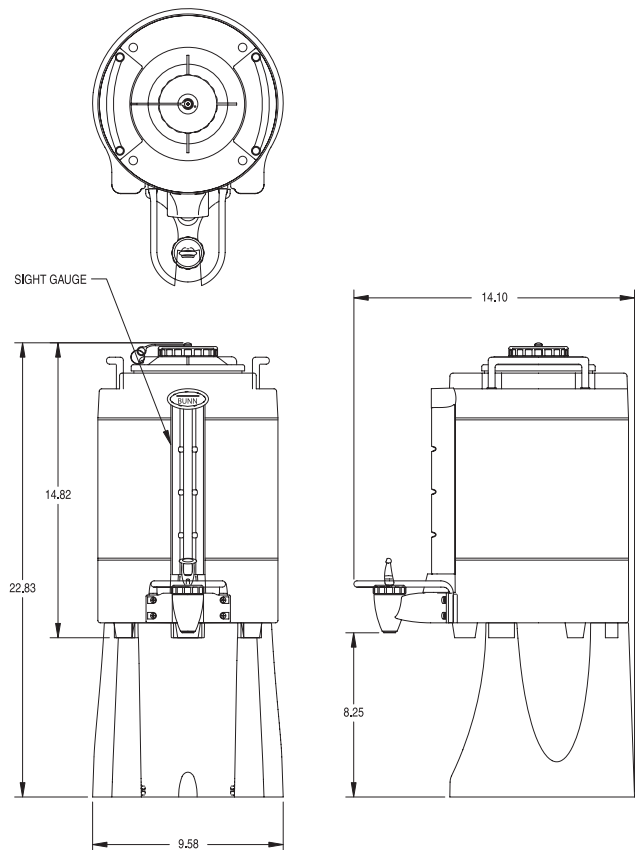


Model	Product #	Volts	Amps	Total Watts	Capacity gal / liter	Cubic Ft ³ / m ³	Weight lbs. / kg.	Cord Attached
1 TF Server	36720.0000	n/a	n/a	n/a	1 / 3.8	1.46 / .04	13 / 5.9	No
1 TF Server*	36720.0001	n/a	n/a	n/a	1 / 3.8	1.46 / .04	13 / 5.9	No
1.5 TF Server	34850.0000	n/a	n/a	n/a	1.5 / 5.68	2.8 / .08	13.8 / 6.26	No
1.5 TF Server*	34850.0001	n/a	n/a	n/a	1.5 / 5.68	2.8 / .08	13.8 / 6.26	No

* Models have black decor.



1 Gal TF Server



1.5 Gal TF Server

Bunn-O-Matic Corporation of Canada - 280 Industrial Pkwy. S. Aurora, Ontario L4G 3T9 • 905-841-2866 • Fax 905-841-2775 • www.bunn.com

BUNN® practices continuous product research and improvement. We reserve the right to change specifications and product design without notice. Such revisions do not entitle the buyer to corresponding changes, improvements, additions or replacements for previously purchased equipment.

All dimensions shown in inches. Bunn Corporation owns all copyrights relating to materials in this publication. Please contact Bunn Corporation to request permission to reproduce any portion of this publication.