

12 Cup Automatic Coffee Brewer with 6 Warmers



Model CWTF 0/6 Twin
(decanters sold separately)

Dimensions: 20.54" H x 30.75" W x 20.64" D
(52.17cm H x 78.11cm W x 50.43cm D)



Model CDBCF 0/6 Twin
(decanters sold separately)

Dimensions: 20.54" H x 30.75" W x 20.64" D
(52.17cm H x 78.11cm W x 50.43cm D)

Features

12 Cup Automatic Coffee Brewer

- Twin brew head systems.
- Brews 15 gallons (56.8 liters) of perfect coffee per hour.
- Six individually controlled warming stations.
- All stainless steel construction.
- Includes hot water faucet.
- SplashGard® funnel deflects hot liquids away from the hand.
- CDBC model has Pulse-Brew™ and Pre-infusion to control coffee extraction.
- Automatic warmer shut-off on CDBC model.
- CDBC model has electronic diagnostics and built in tank drain that makes service easier.
- Decanters sold separately.

For current specification sheets and other information, go to www.bunn.com.

Related Products

Easy Clear® EQ-17-TL

Product No. : 30200.1000
Dimensions:
12⁷/₁₆" H x 2¹/₂" W x 3" D
31.6 cm H x 6.35 cm W x 7.62 cm D



Easy Clear® ED-17-TL

Product No. : 30201.1001
Dimensions: 8¹/₄" H x 2⁵/₁₆" Dia.
20.95 cm H x 5.87 cm Dia.

Paper Filter Pack

Product No. : 20115.6000
Packed per case: 1,000
Dimensions: 4¹/₄" Base x 2³/₄" Sidewall
10.8 cm Base x 6.98 cm Sidewall



Easy Pour® black decanter

Product No. : 06100.0201
Quantity: 1 (also packaged in quantities of 3 & 24)



Easy Pour® orange decanter (for decaf)

Product No. : 06101.0201
Quantity: 1 (also packaged in quantities of 3 & 24)



WX1-warmer



Product No. : 06450.6000
One position warmer



WX2-warmer

Product No. : 06310.6000
Two position warmer



| Model | Agency Listing |
|----------------|---|
| CWTF 0/6 Twin |  |
| CDBCF 0/6 Twin |  |

Dimensions & Specifications

CANADA



| Model | Product # | Volts | Amps | Tank Heater Watts | Total Watts | Capacity per hour | Cubic ft ³ /m ³ | Weight lbs/kg | Cord Attached |
|----------------|------------|---------|------|-------------------|-------------|-------------------|---------------------------------------|---------------|---------------|
| CWTF 0/6 Twin | 23400.6000 | 120/240 | 28.5 | 2 @ 3000 | 6600 | 15 gal/56.8 liter | 11.2 / .32 | 75 / 34.0 | No |
| CDBCF 0/6 Twin | 29100.6000 | 120/240 | 31.0 | 2 @ 3000 | 6700 | 15 gal/64.4 liter | 11.2 / .32 | 75 / 34.0 | No |

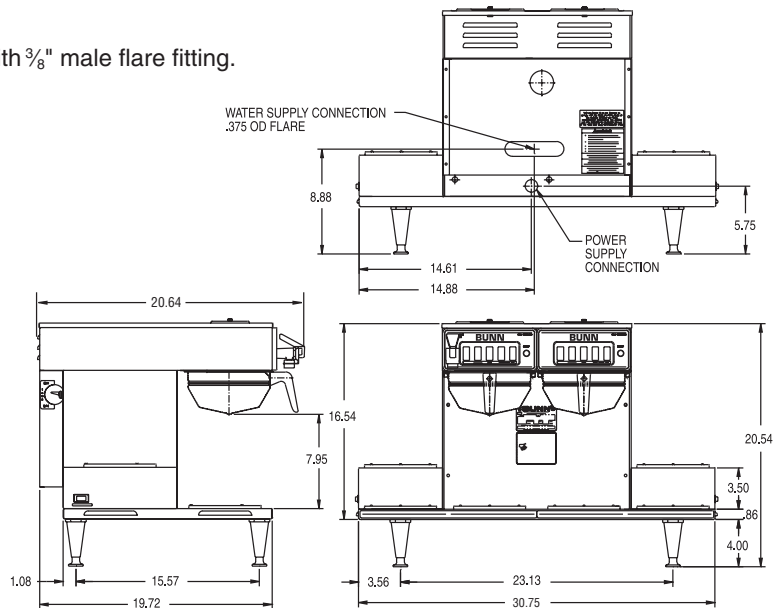
Machine has two 3000 watt tank heaters.

Brewing capacity: based upon incoming water temp of 60°F (140°F rise) per 1/2 gallon brew time of 4 minutes.

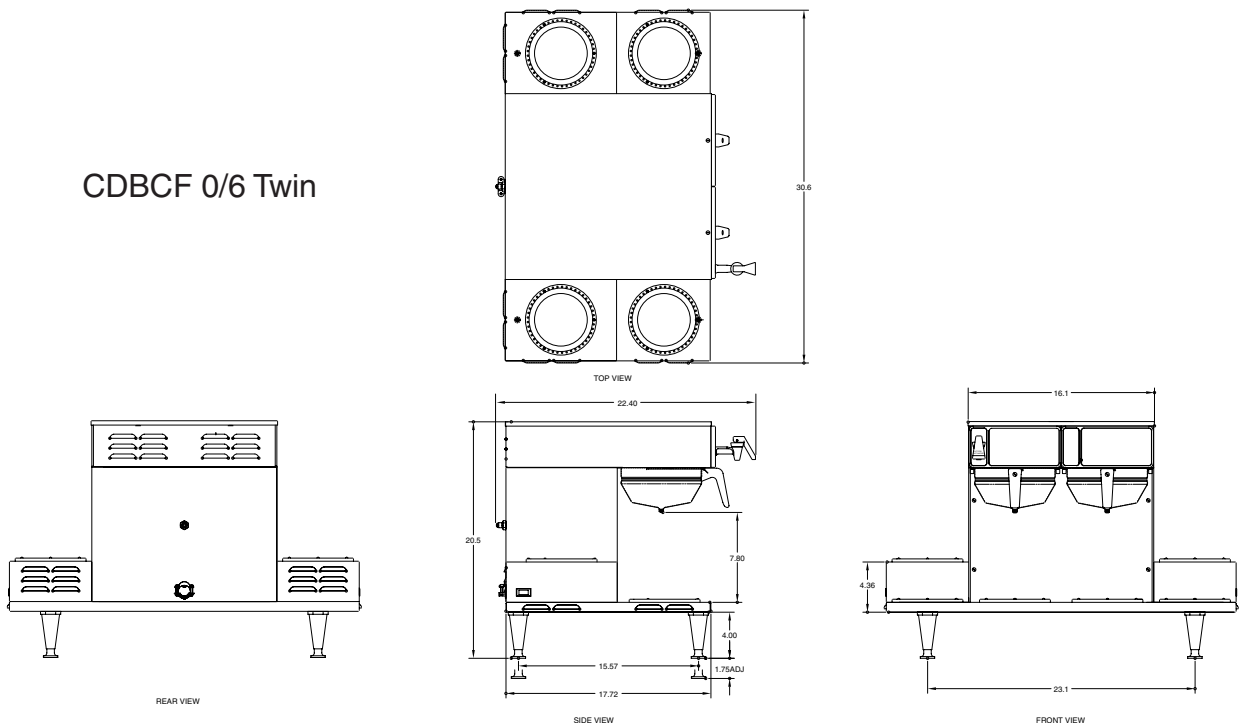
Electrical: 3-wires plus ground, single phase, 60 Hz.

Plumbing: 20-90 psi (138-621 kPa). Machine supplied with 3/8" male flare fitting.

CWTF 0/6 Twin



CDBCF 0/6 Twin



Bunn-O-Matic Corporation of Canada - 280 Industrial Pkwy. S. Aurora, Ontario L4G 3T9 • 905-841-2866 • Fax 905-841-2775 • www.bunn.com

BUNN® practices continuous product research and improvement. We reserve the right to change specifications and product design without notice. Such revisions do not entitle the buyer to corresponding changes, improvements, additions or replacements for previously purchased equipment.

All dimensions shown in inches. Bunn Corporation owns all copyrights relating to materials in this publication. Please contact Bunn Corporation to request permission to reproduce any portion of this publication.