

12 Cup Automatic Coffee Brewer with 5 Warmers

Features

12 Cup Automatic Coffee Brewer

- Brews 7.5 gallons (28.4 liters) of perfect coffee per hour.
- All stainless steel construction.
- Hot water faucet and pourover feature.
- Fits easily on counters or under cabinets.
- SplashGard® funnel deflects hot liquids away from the hand.



Model CRTF5

(decanters sold separately)

Dimensions: 17.1" H x 24.5" W x 18.2" D
(43.4cm H x 62.2cm W x 46.2cm D)

For current specification sheets and other information, go to www.bunn.com.

Related Products

Easy Clear® EQ-17-TL

Product No. : 30200.1000

Dimensions:

12⁷/₁₆" H x 2¹/₂" W x 3" D
31.6 cm H x 6.35 cm W x 7.62 cm D



Easy Clear® ED-17-TL

Product No. : 30201.1001

Dimensions: 8¹/₄" H x 2⁵/₁₆" Dia.

20.95 cm H x 5.87 cm Dia.



Paper Filter Pack

Product No. : 20115.6000

Packed per case: 1,000

Dimensions: 4¹/₄" Base x 2³/₄" Sidewall
10.8 cm Base x 6.98 cm Sidewall



Easy Pour® black decanter

Product No. : 06100.0201

Quantity: 1 (also packaged in quantities of 3 & 24)



Easy Pour® orange decanter (for decaf)

Product No. : 06101.0201

Quantity: 1 (also packaged in quantities of 3 & 24)



WX1-warmer

Product No. : 06450.6000

One position warmer



WX2-warmer

Product No. : 06310.6000

Two position warmer



Model

CRTF5-35

Agency Listing



Patents Apply

01/06

A1.7

Dimensions & Specifications

CANADA



Model	Product #	Volts	Amps	Tank Heater Watts	Total Watts	Capacity per hour	Cubic ft ³ /m ³	Weight lbs/kg	Cord Attached
CRTF5-35*	13250.6003	120/208-240	16.9	240V/3500W 208V/2629W	4050	7.5 gal/28.4 liter	8.3/.23	35 /15.9	No
CRTF5-35**	13250.6002	120/208-240	16.9	240V/3500W 208V/2629W	4050	7.5 gal/28.4 liter	8.3/.23	35 /15.9	No

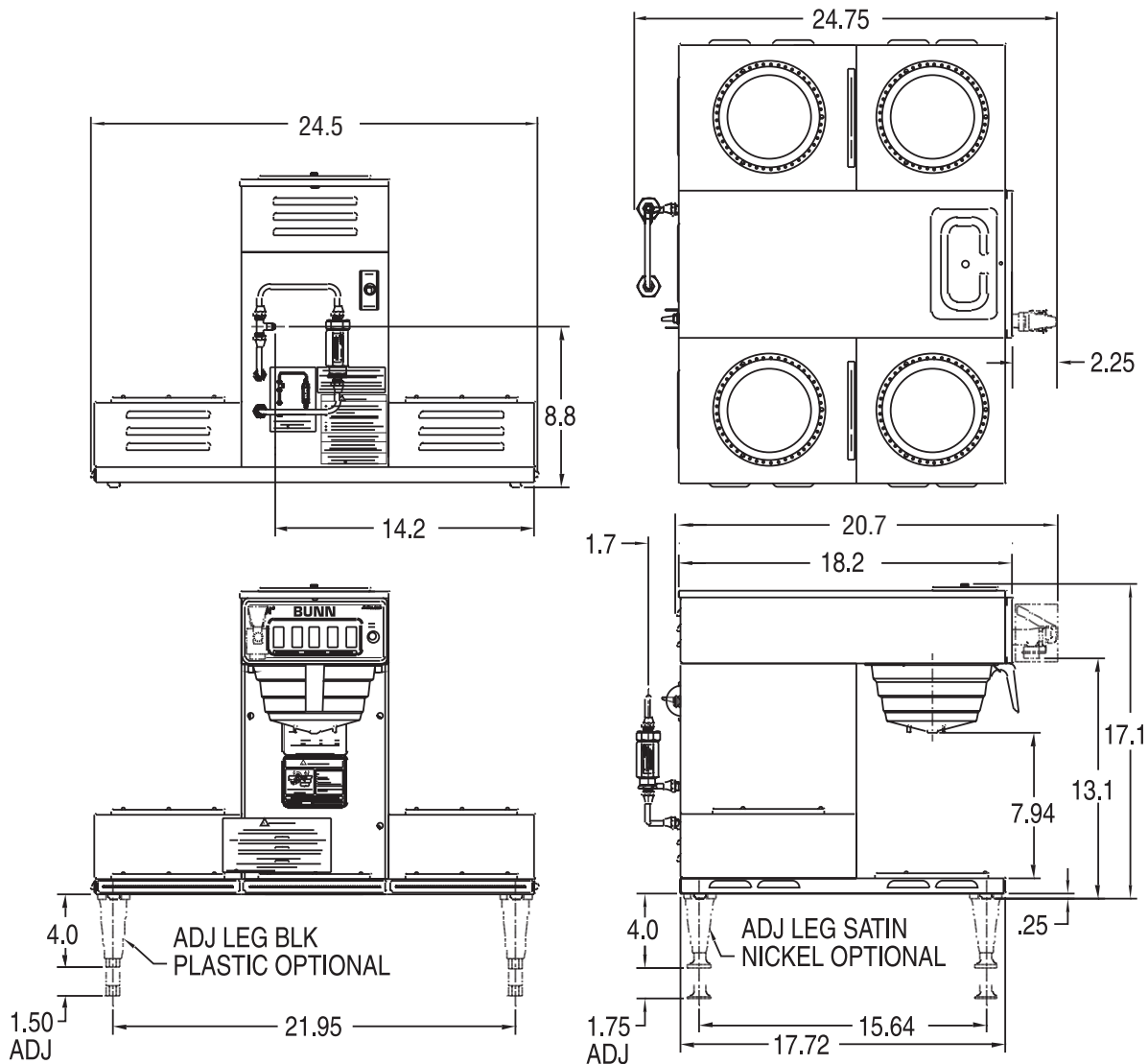
* Stainless trunk and black plastic funnel.

** Black trunk and black plastic funnel.

Brewing capacity: based upon incoming water temp of 60°F (140°F rise) per 1/2 gallon brew time of 4 minutes.

Electrical: Model requires 3-wires plus ground service rated 120/240V, single phase, 60 Hz.

Plumbing: 20-90 psi (138-621 kPa). Machine supplied with 1/4" male flare fitting.



Bunn-O-Matic Corporation of Canada - 280 Industrial Pkwy. S. Aurora, Ontario L4G 3T9 • 905-841-2866 • Fax 905-841-2775 • www.bunn.com

BUNN® practices continuous product research and improvement. We reserve the right to change specifications and product design without notice. Such revisions do not entitle the buyer to corresponding changes, improvements, additions or replacements for previously purchased equipment.

All dimensions shown in inches. Bunn Corporation owns all copyrights relating to materials in this publication. Please contact Bunn Corporation to request permission to reproduce any portion of this publication.